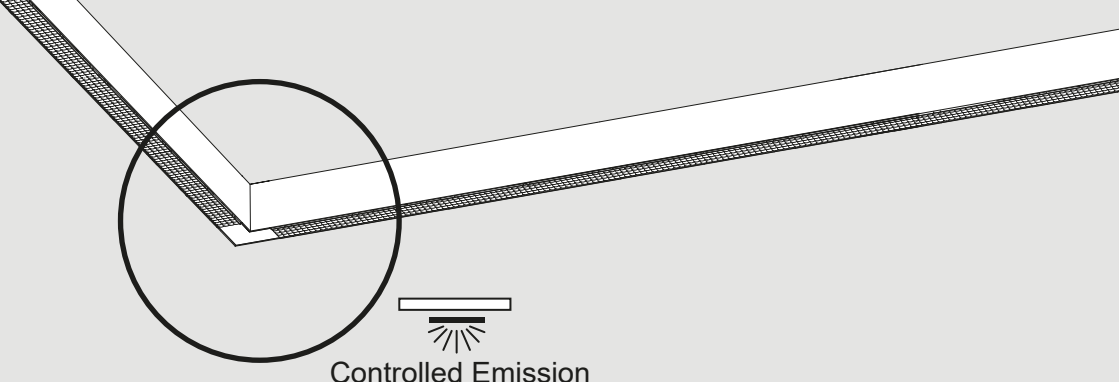
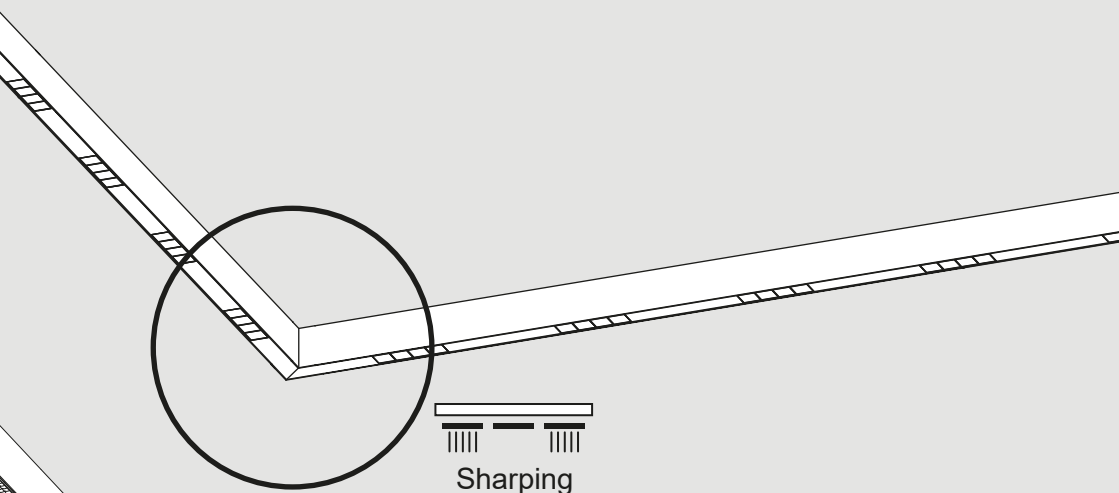
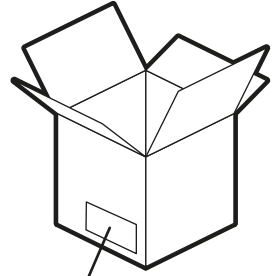
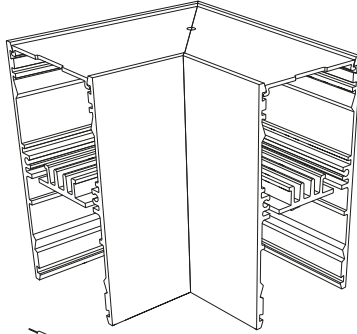
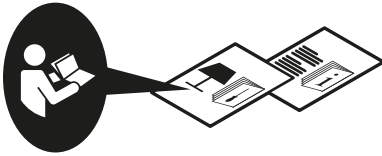


A.39 SHARPING CORNERS

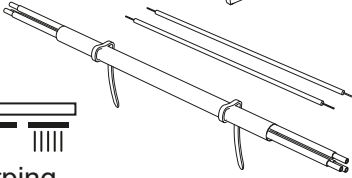
A.39 CONTROLLED EMISSION CORNERS

design
Carlotta de Bevilacqua

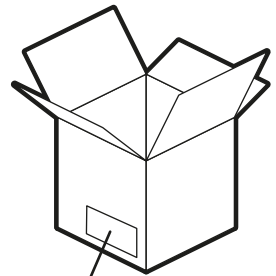
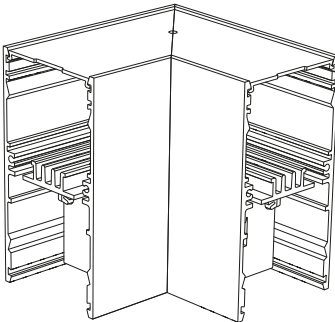
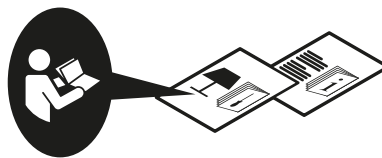




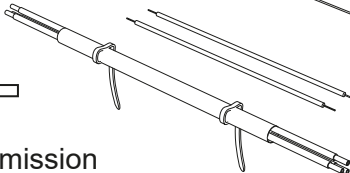
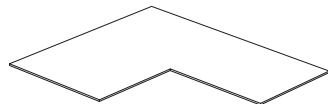
BH350.....



Sharping

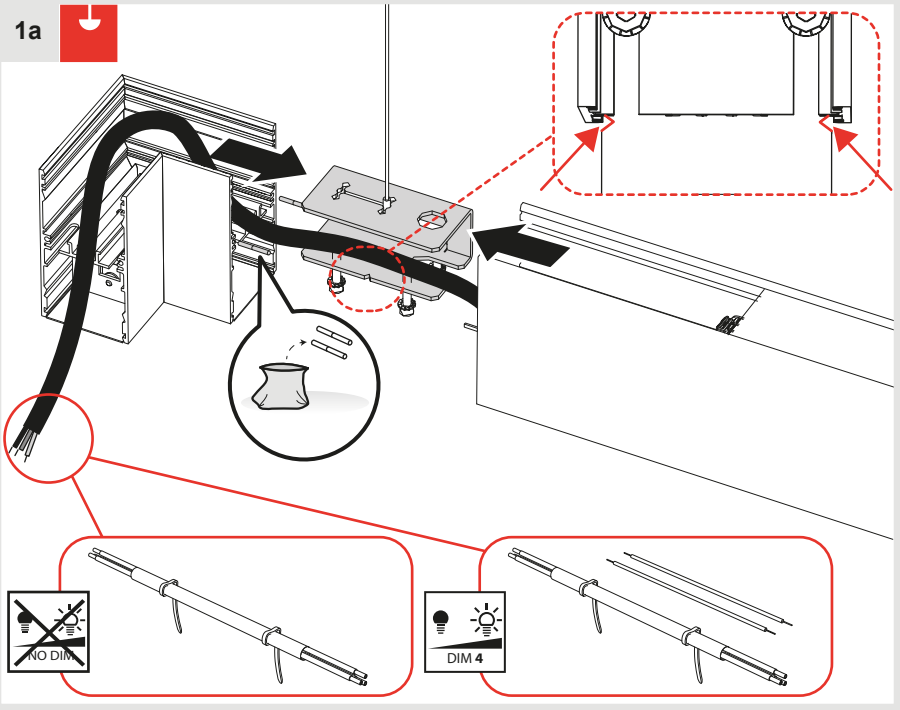


AT310.....

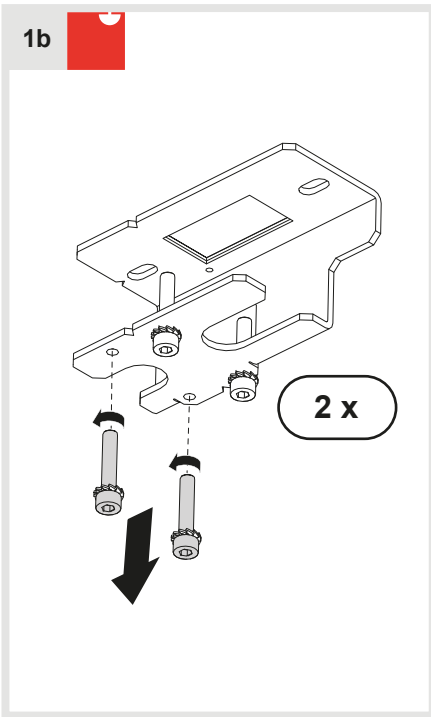


Controlled Emission

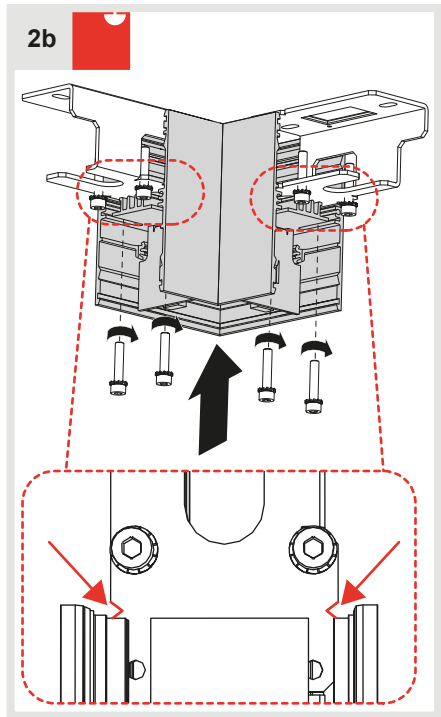
1a

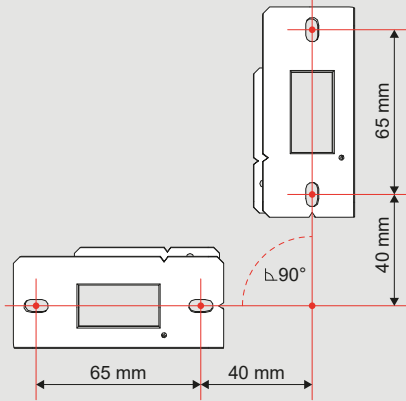
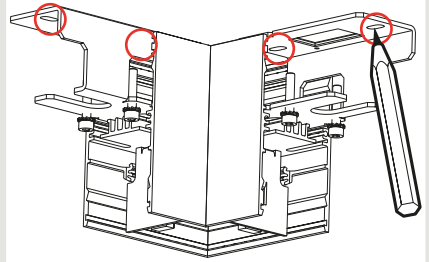
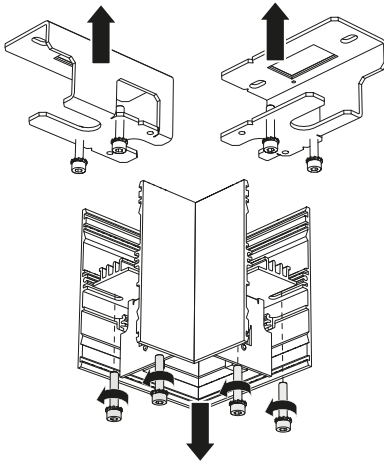
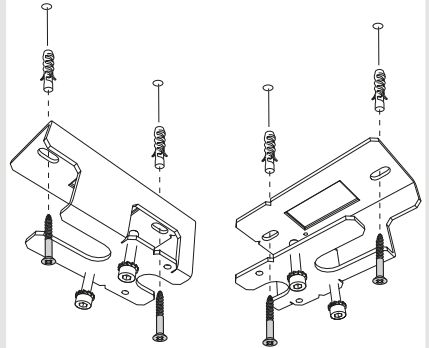


1b

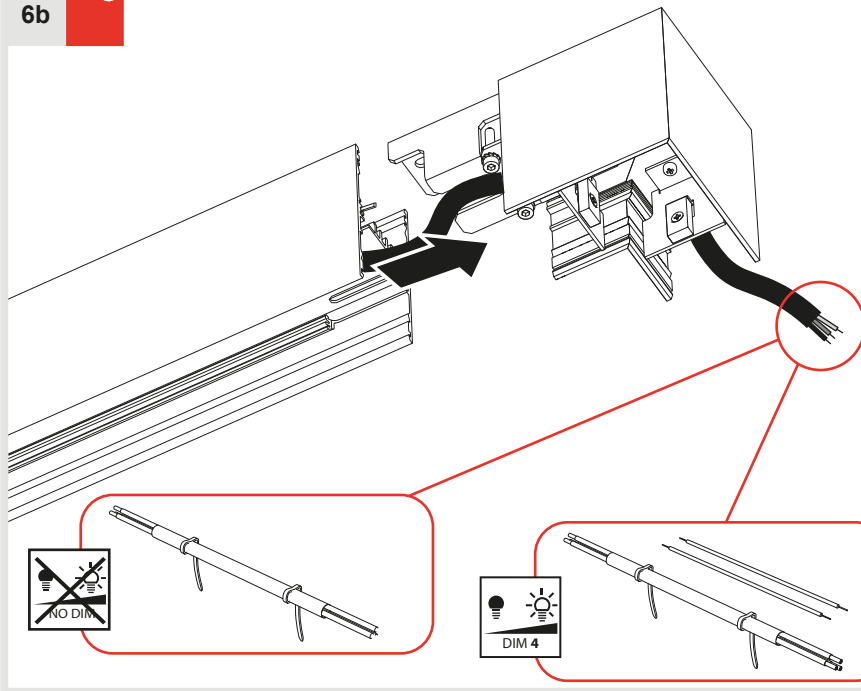


2b

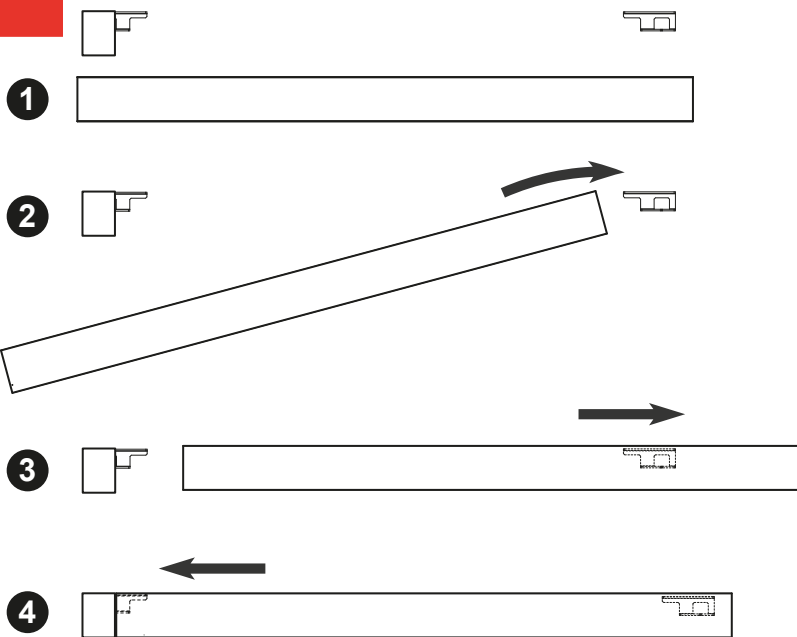


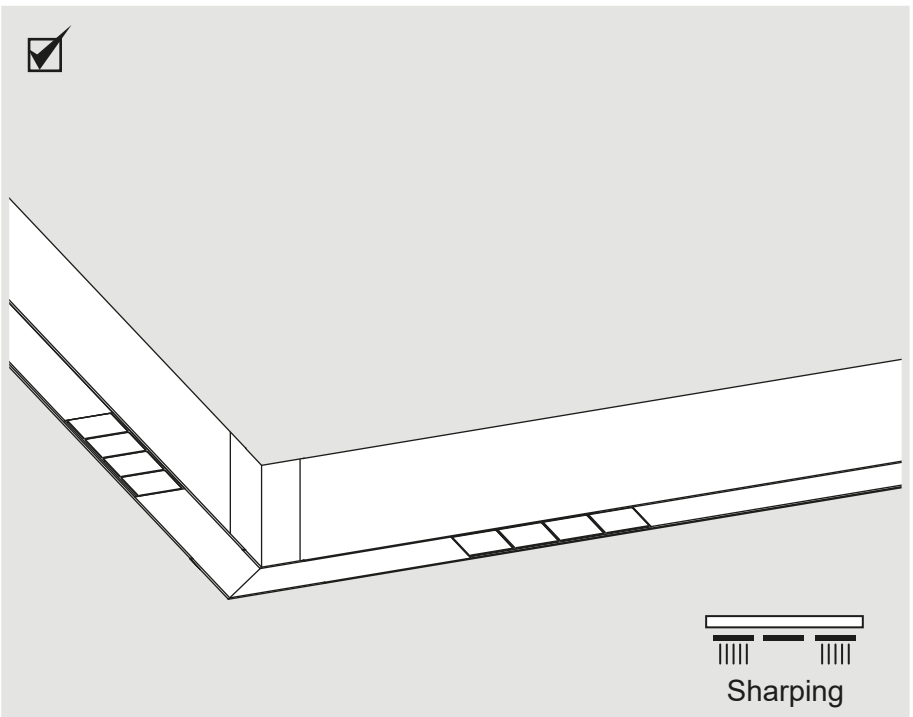
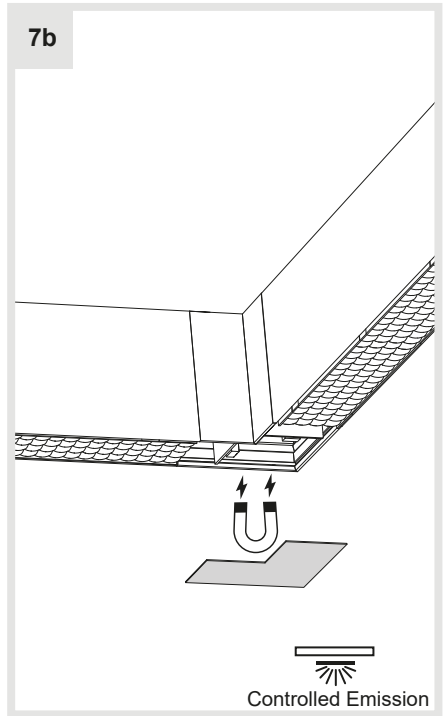
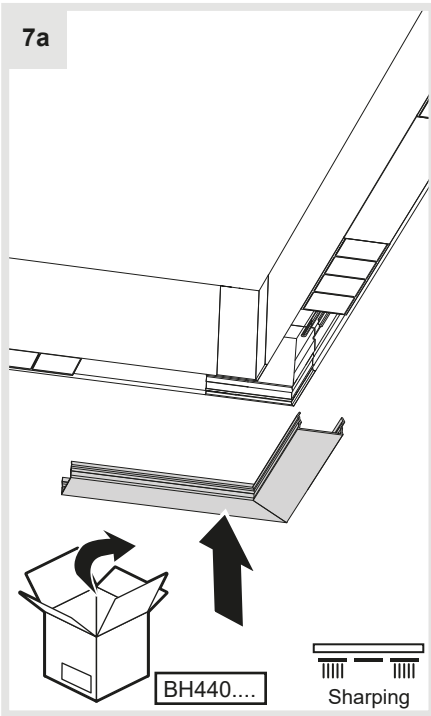
i**3b****4b****5b**

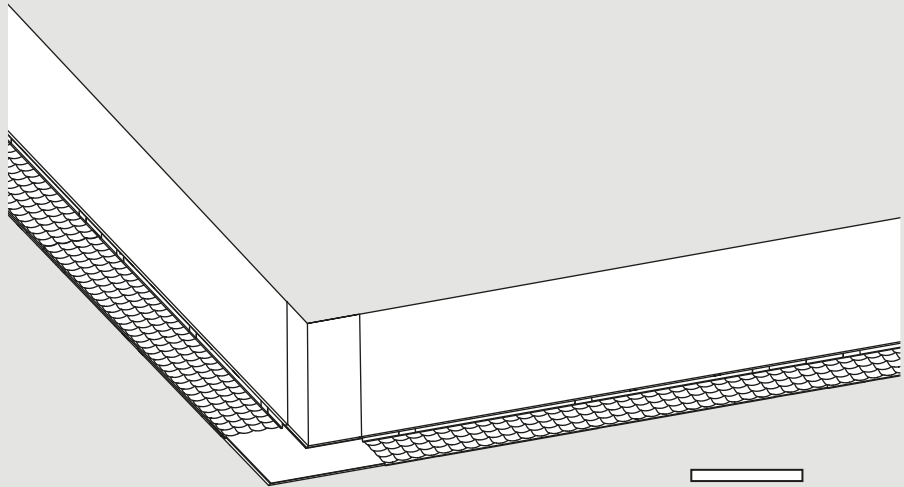
6b



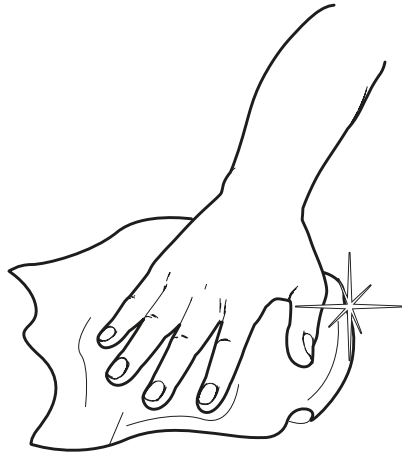
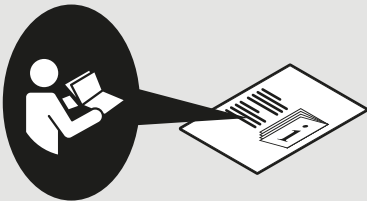
i



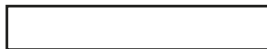




Controlled Emission



Artemide®



Artemide

via Bergamo, 18
20006 Pregnana M.se (MI)
ITALIA

tel. +39 02 935 181
fax +39 02 935 90 254
fax +39 02 935 90 496

www.artemide.com

VAT IT00846890150

cod. Y513001052A