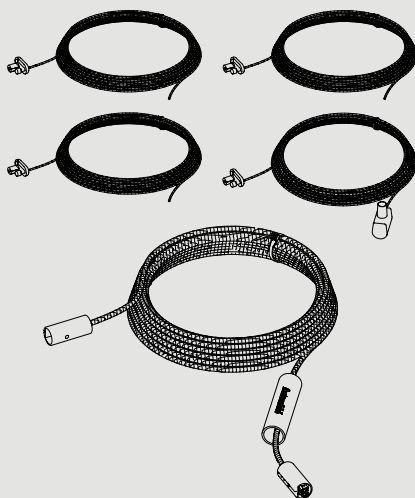
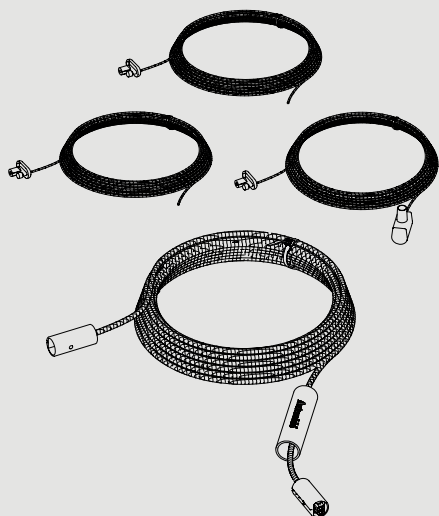
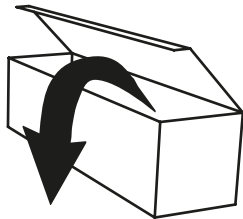


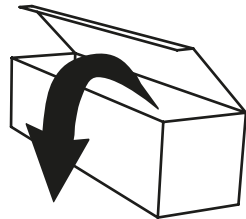
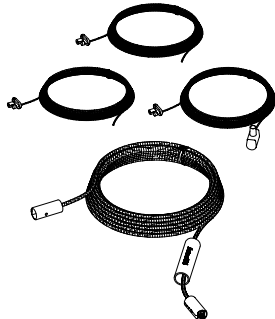
## KIT PROLUNGA CAVI ALIMENTATI / CAVI DI SOSPENSIONE ALPHABET OF LIGHT LINEAR - CIRCULAR

design  
BIG

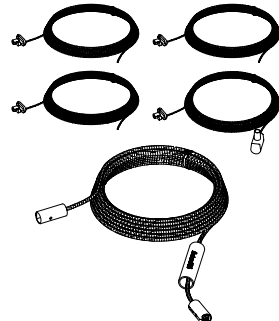


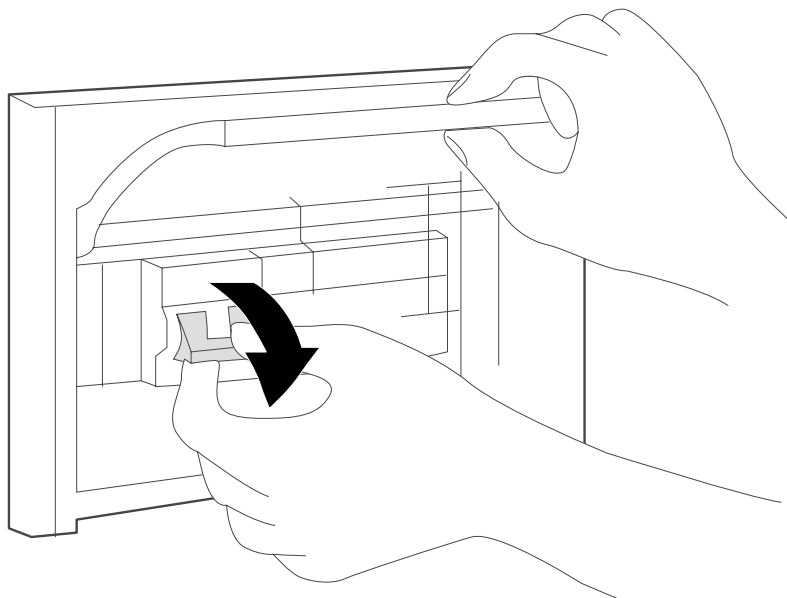


**1209000A**

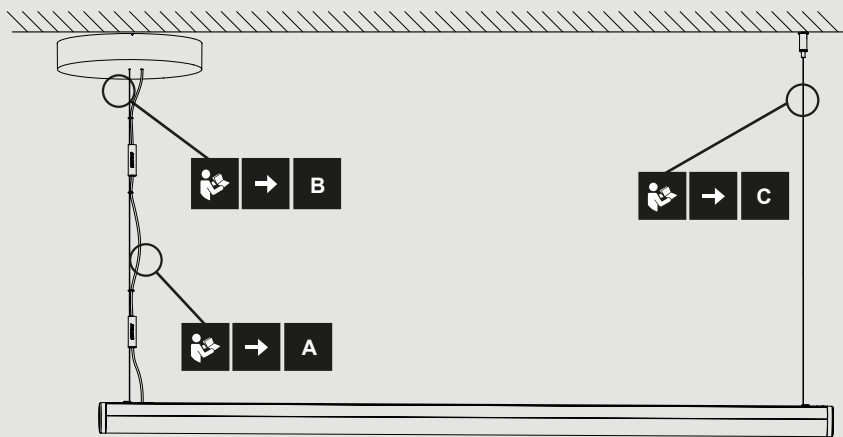


**1209100A**



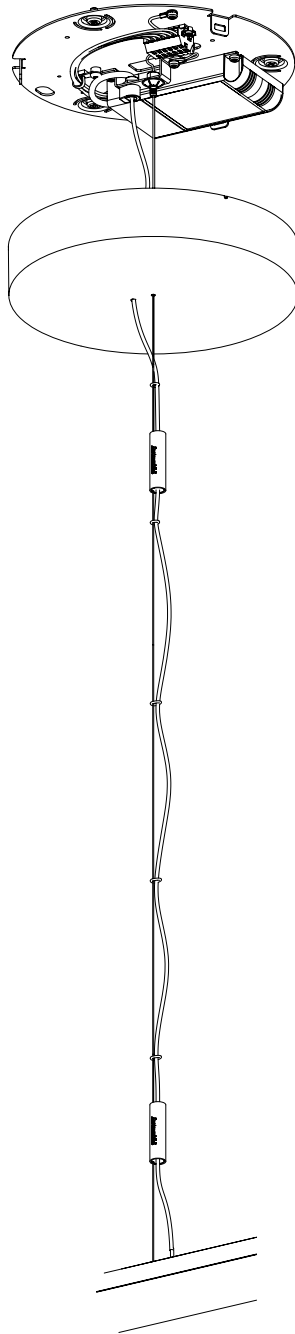


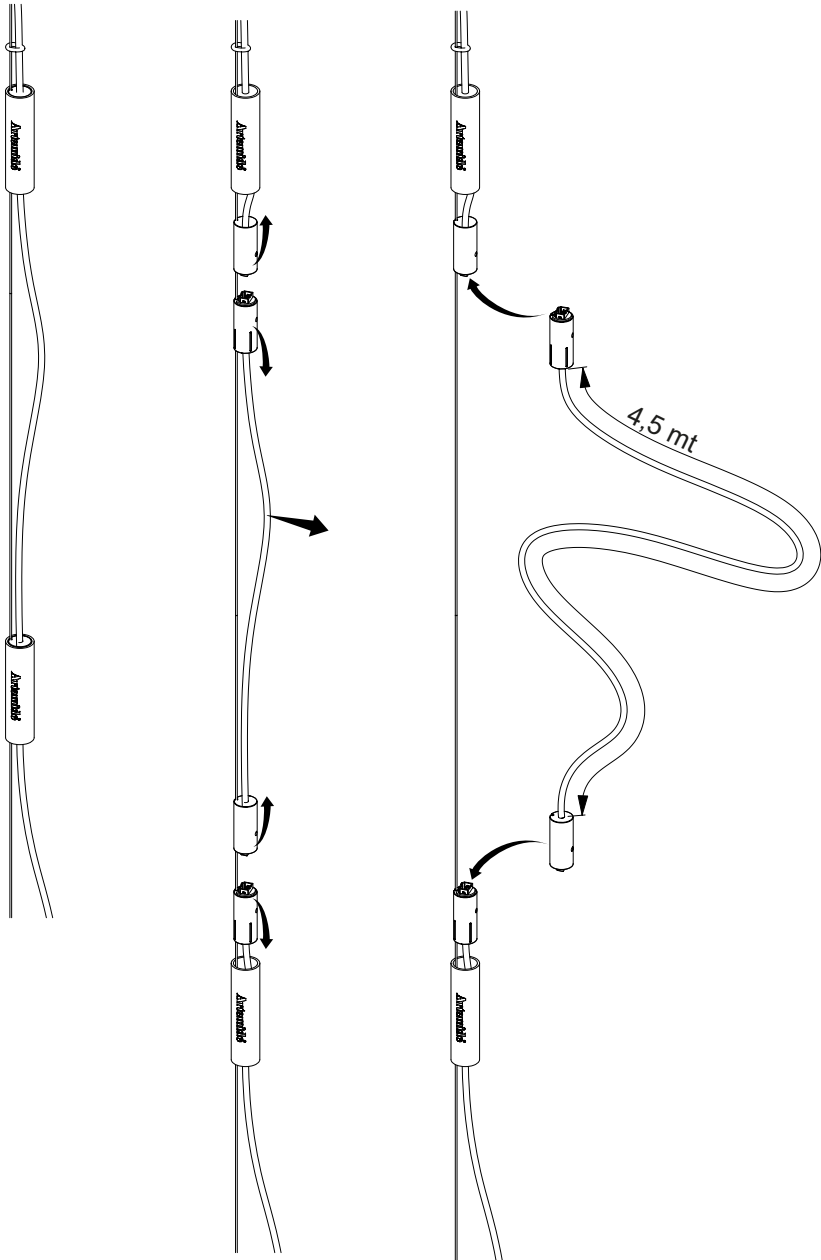
**i**

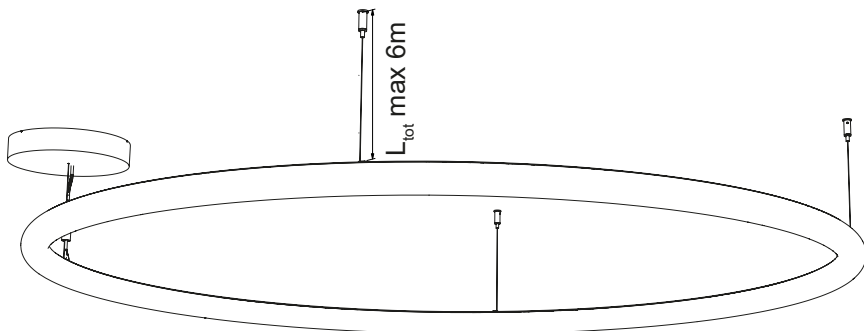
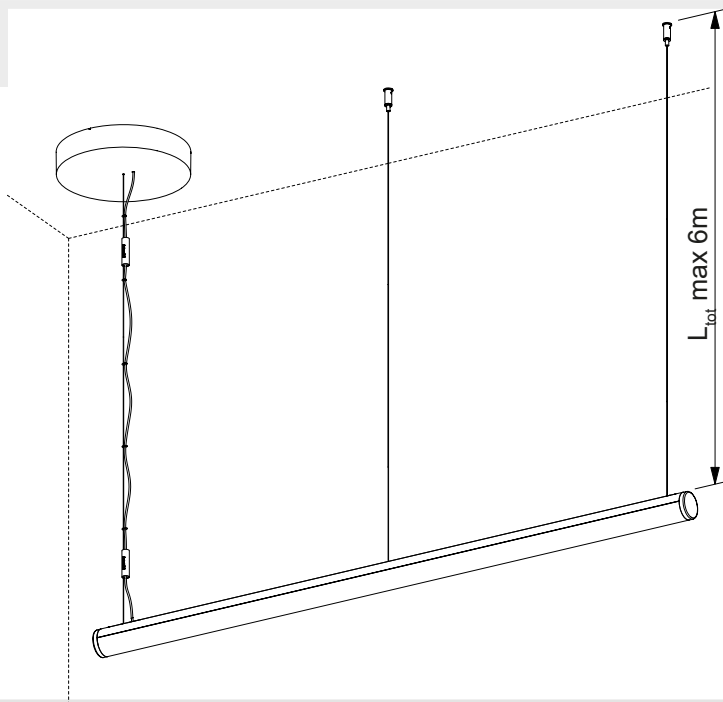


A

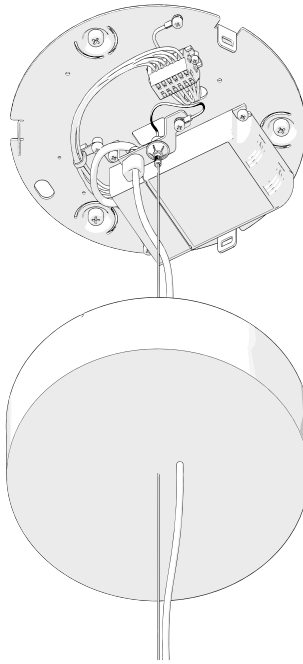
1



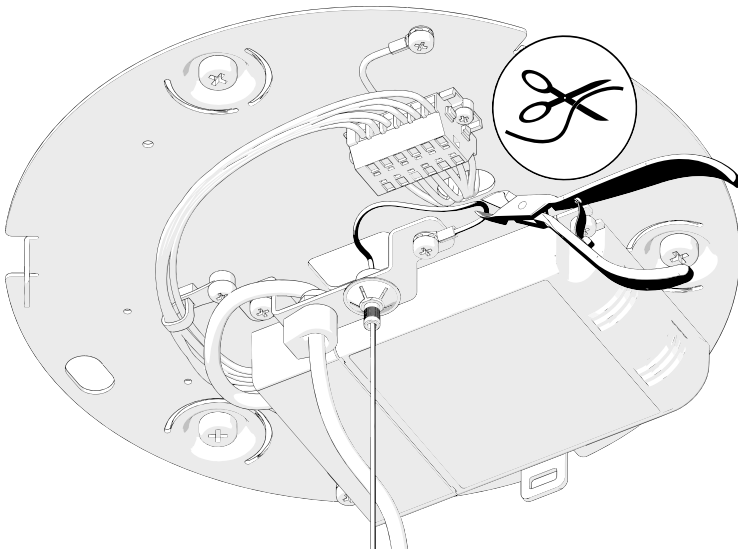




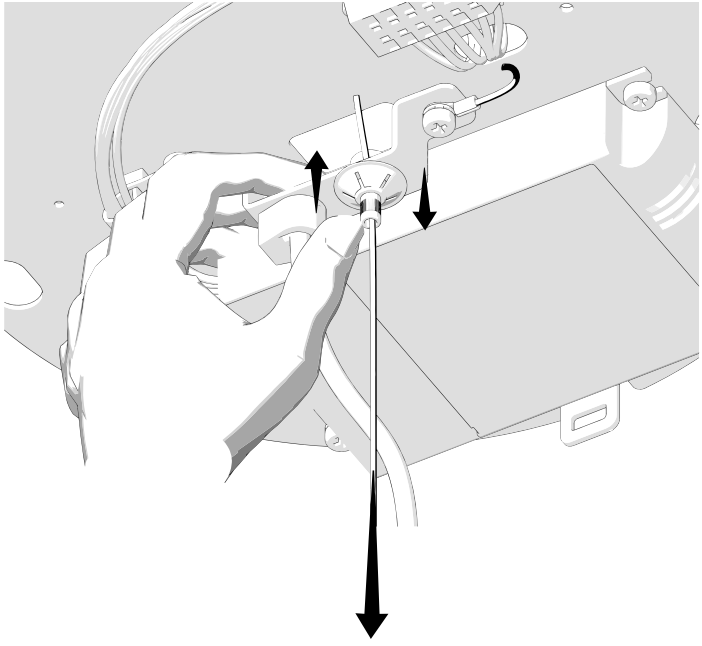
1



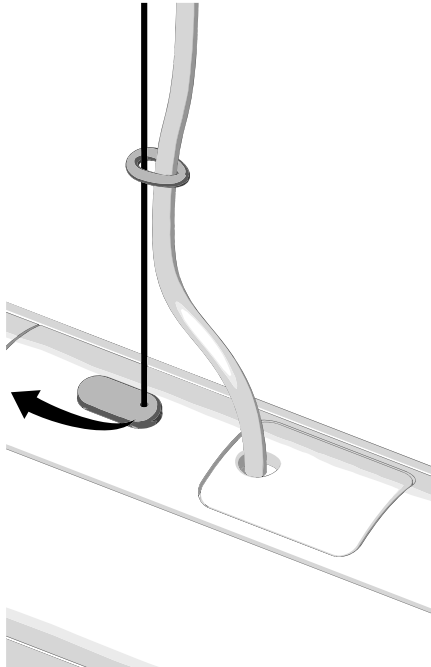
2



3

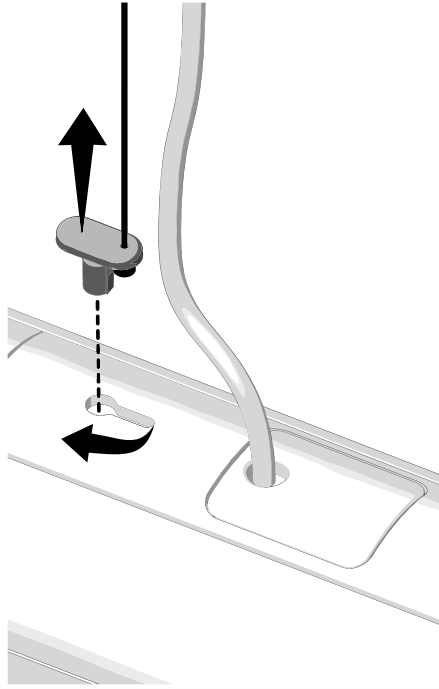


4

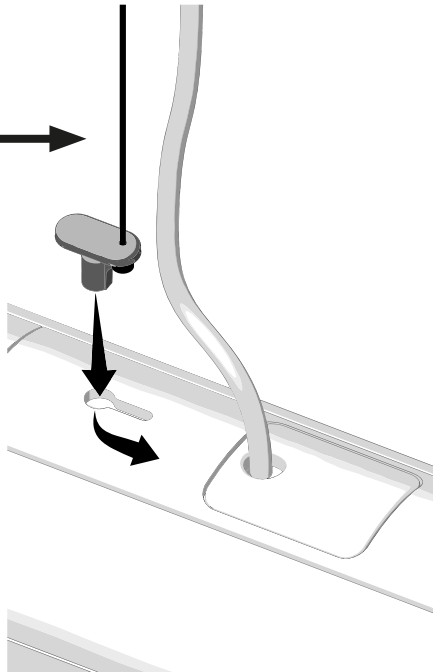
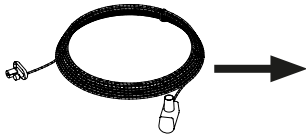




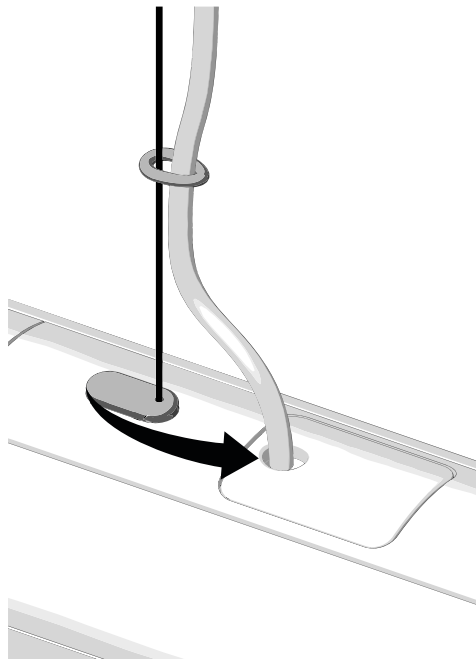
5



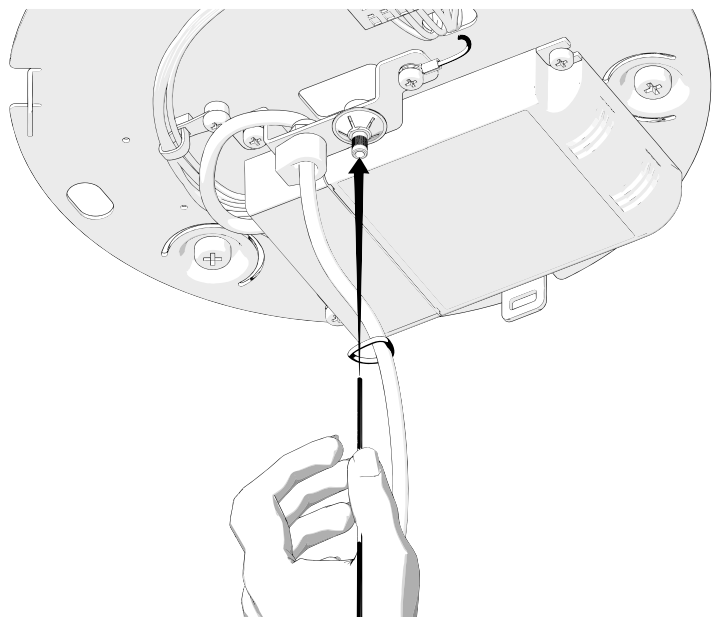
6



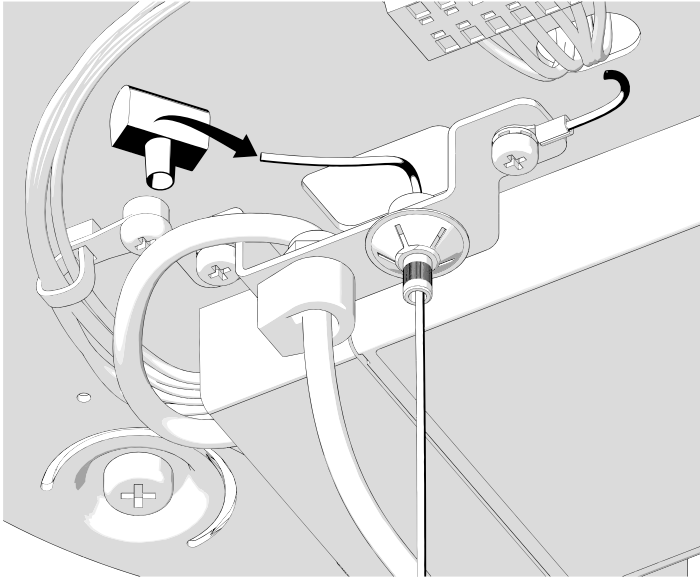
7



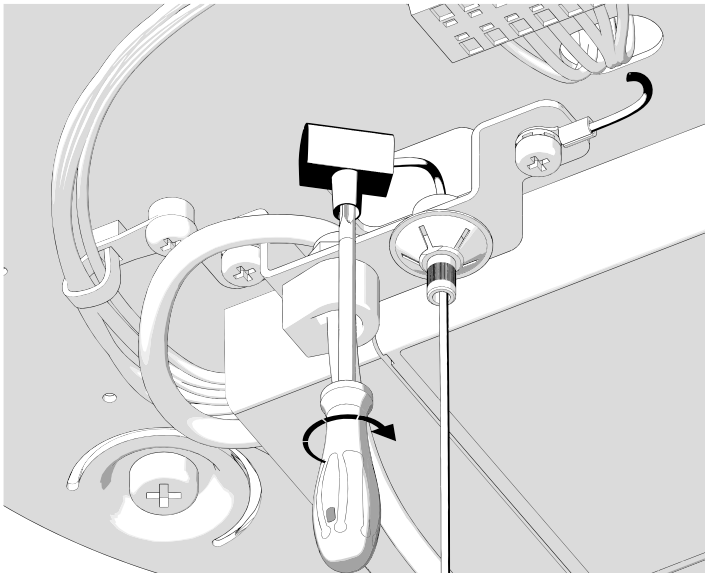
8

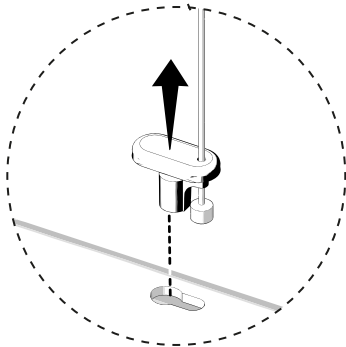
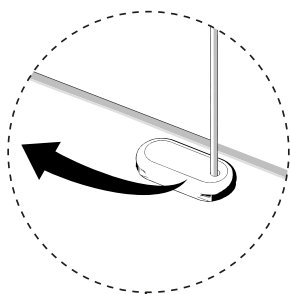
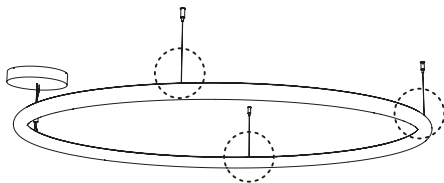
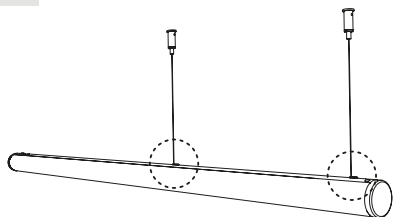


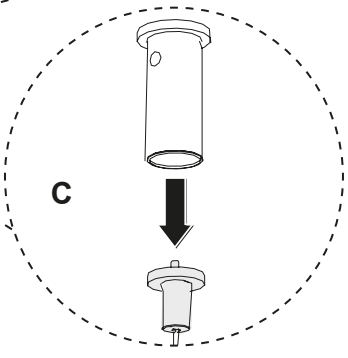
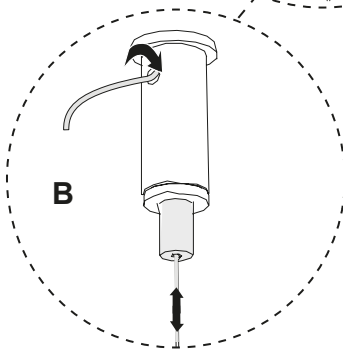
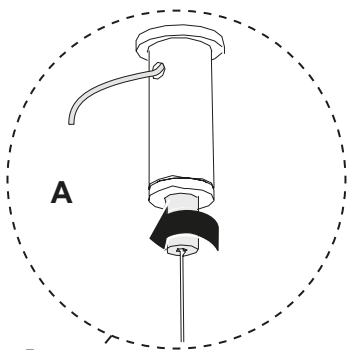
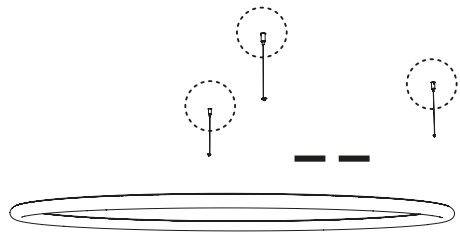
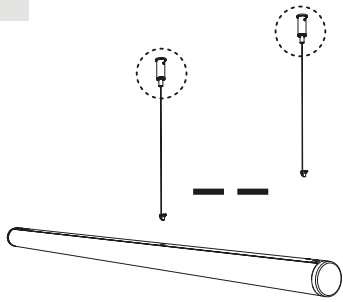
9



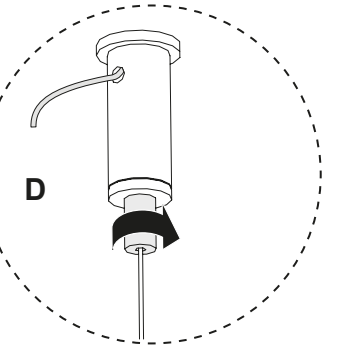
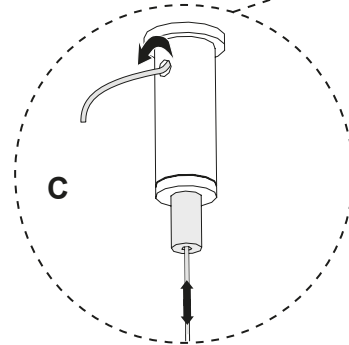
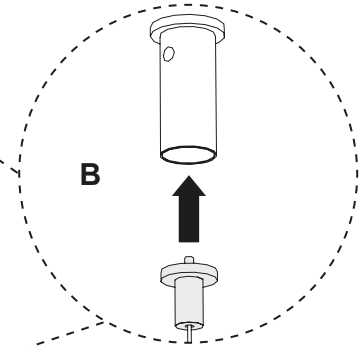
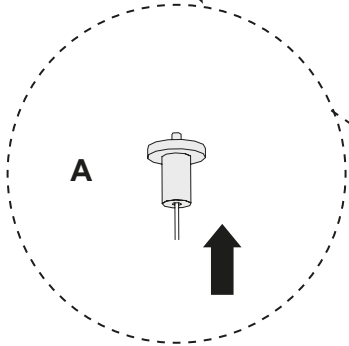
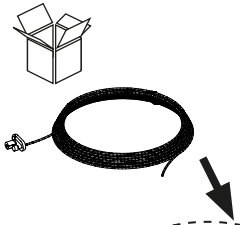
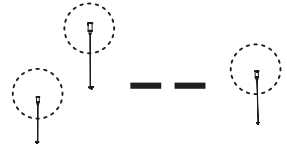
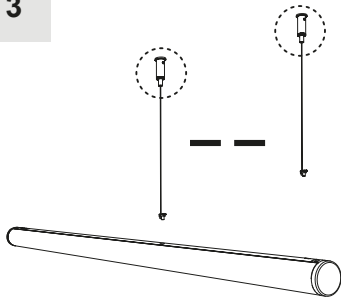
10

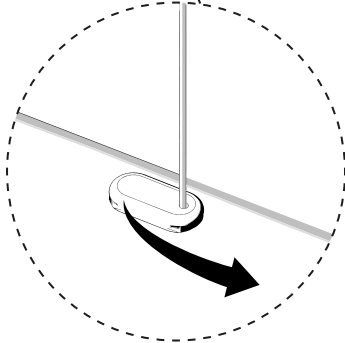
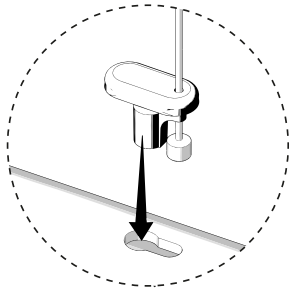
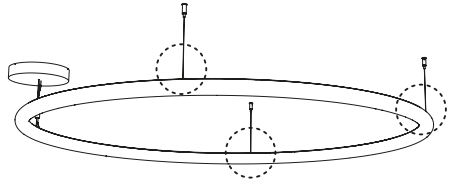
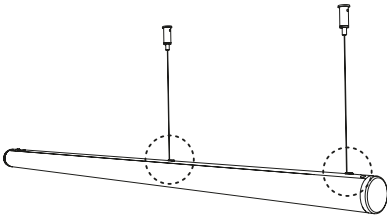






3





**Artemide®**



**Artemide**

via Bergamo, 18  
20010 Pregnana M.se (MI)  
ITALIA

tel. +39 02 935 181  
fax +39 02 935 90 254  
fax +39 02 935 90 496

[www.artemide.com](http://www.artemide.com)

VAT IT00846890150

cod. Y513001294A