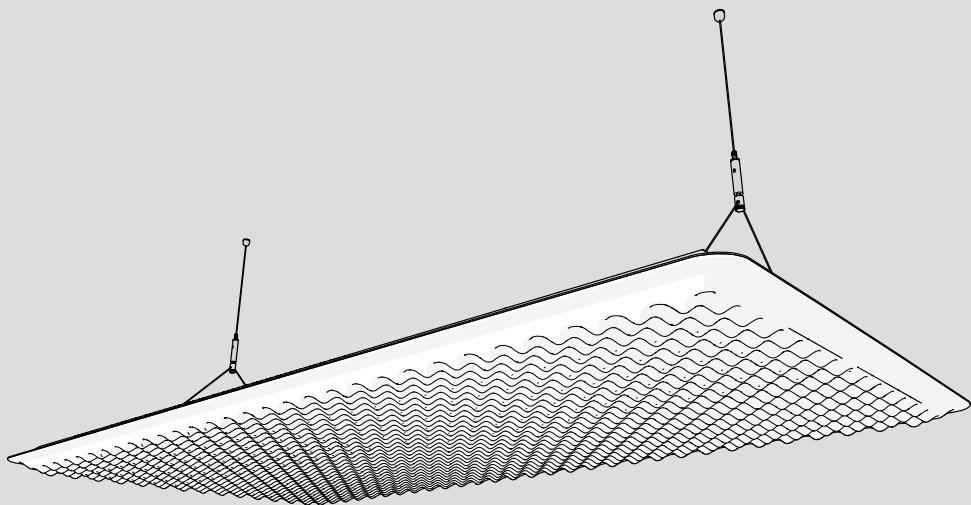


Eggboard 1600x800

design
Progetto CMR

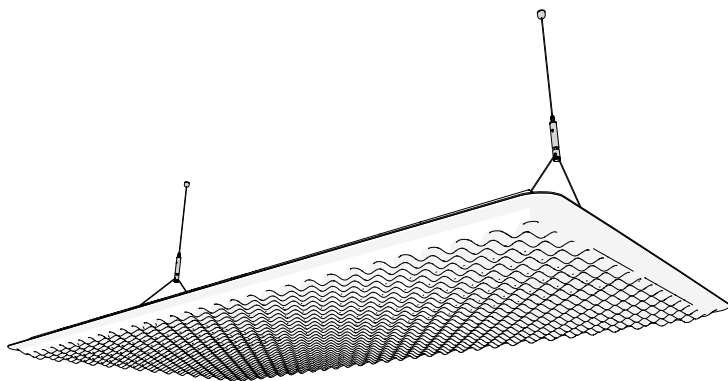
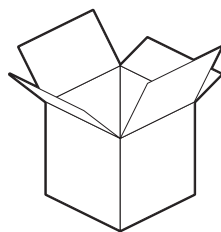
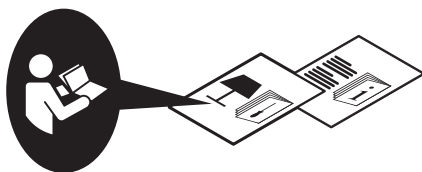


OUTDOOR

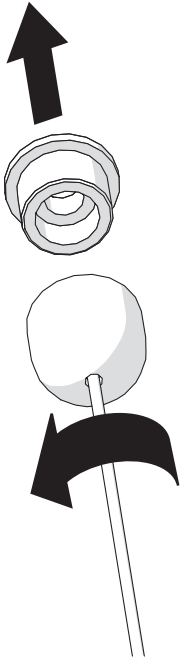




i

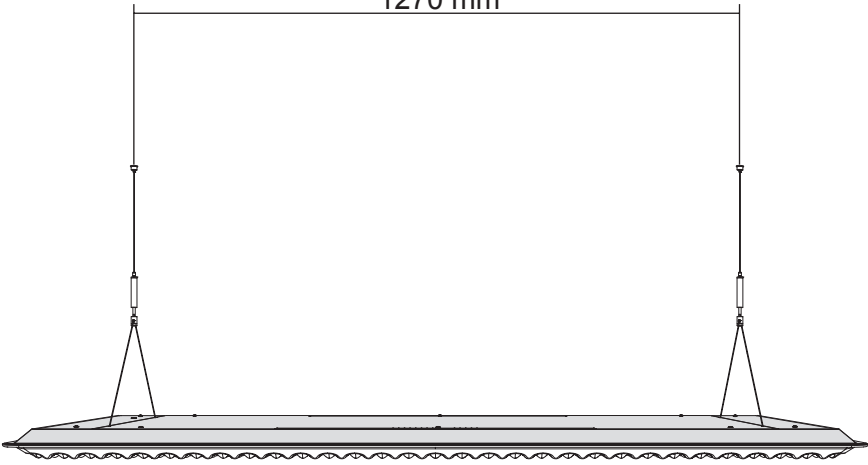


1

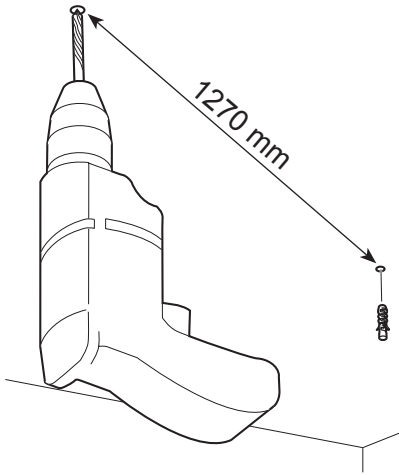


i

1270 mm



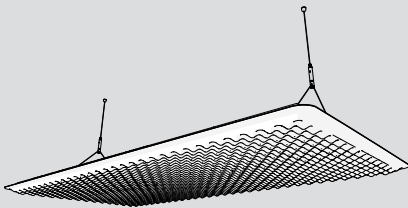
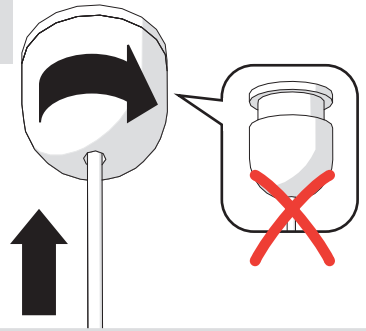
2



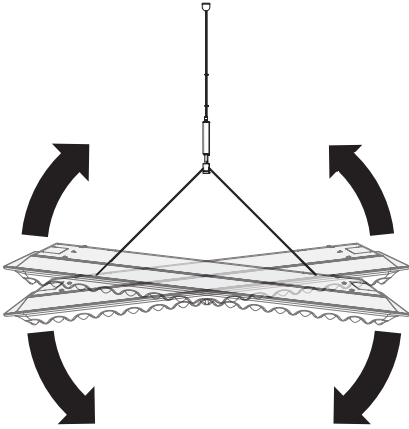
3



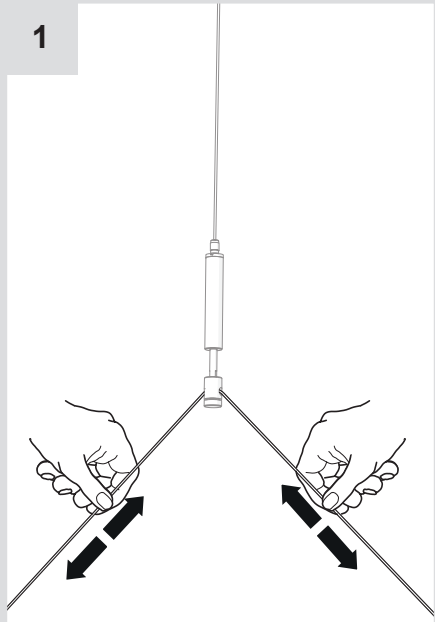
4



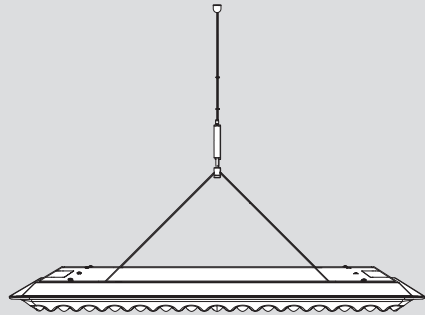
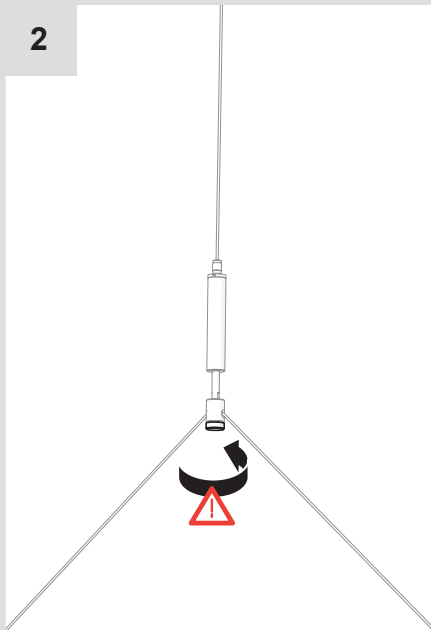
i



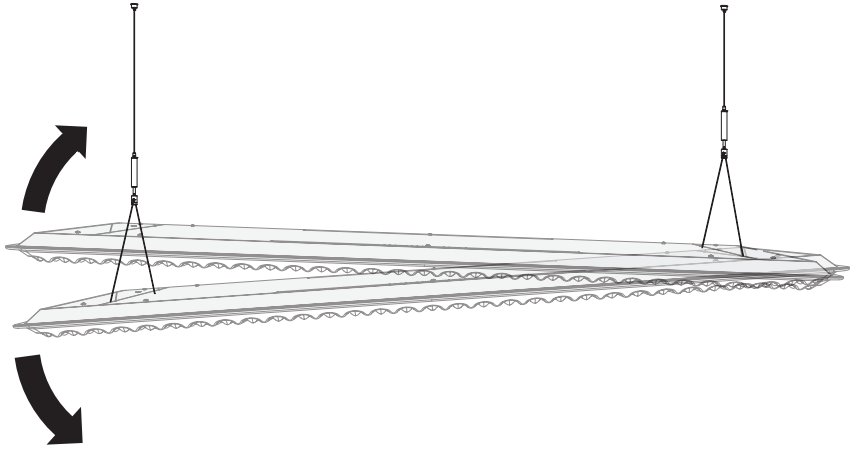
1



2



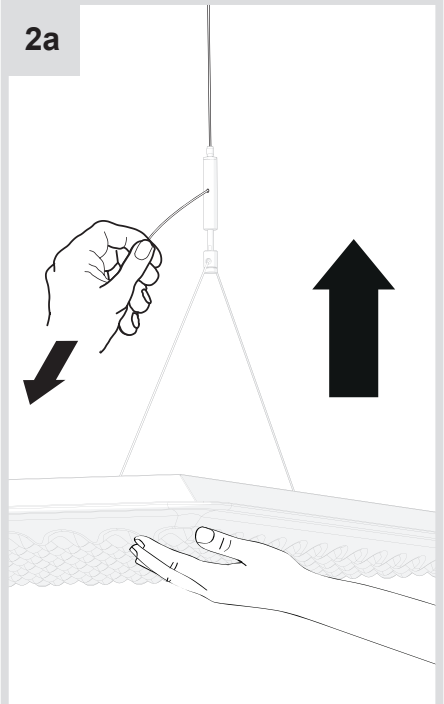
i



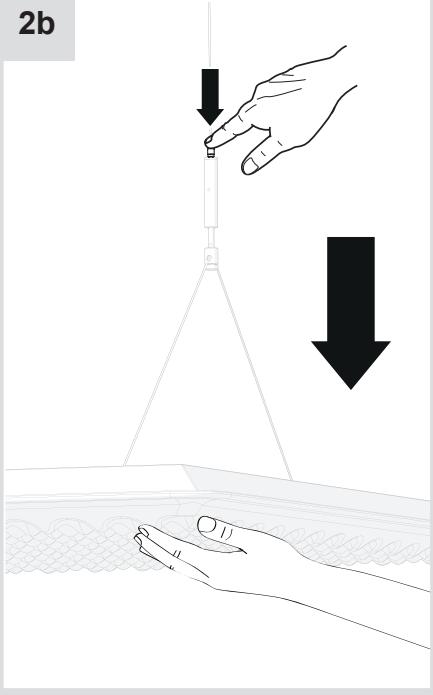
1



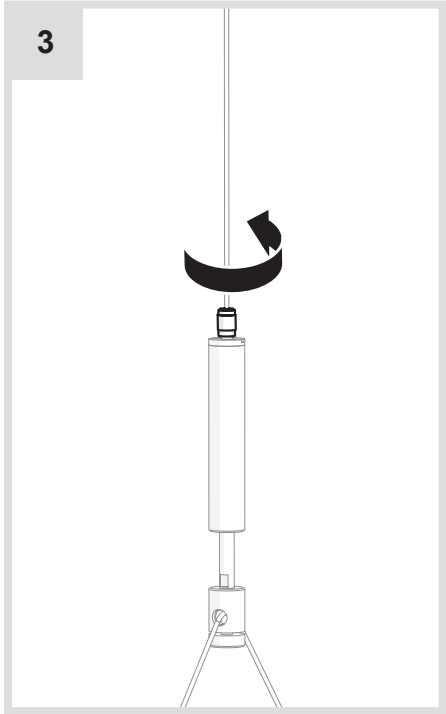
2a



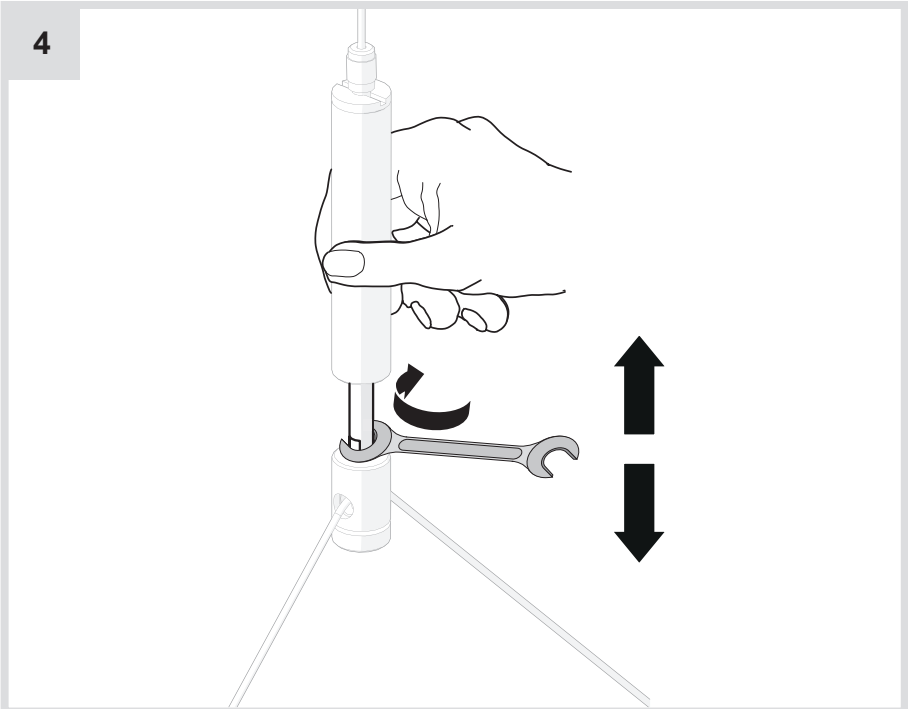
2b

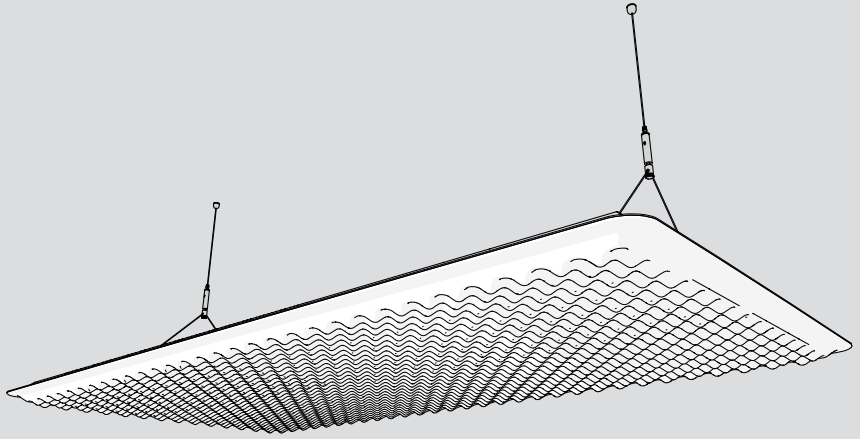


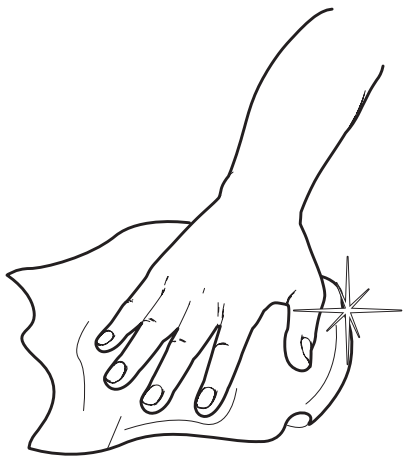
3



4







Artemide[®]
ARCHITECTURAL



Artemide

via Bergamo, 18
20010 Pregnana M.se (MI)
ITALIA

tel. +39 02 935 181
fax +39 02 935 90 254
fax +39 02 935 90 496

www.artemide.com

VAT IT00846890150

cod. Y513000439