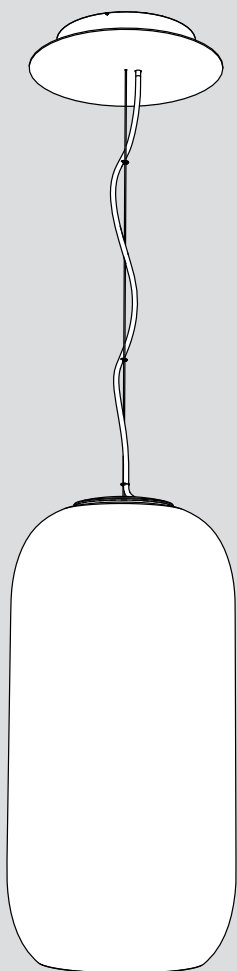


Artemide®

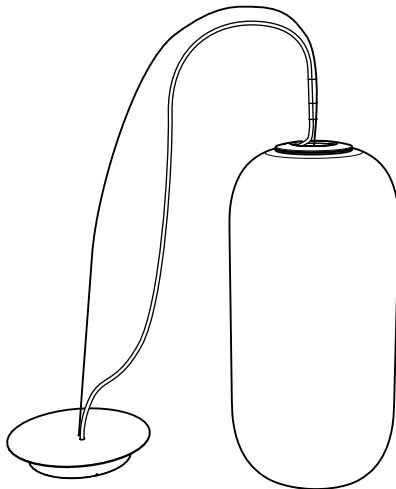
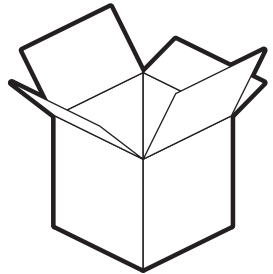
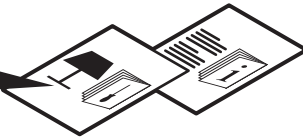
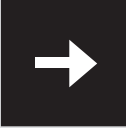
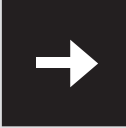
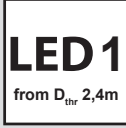
Gople RWB

design
BIG

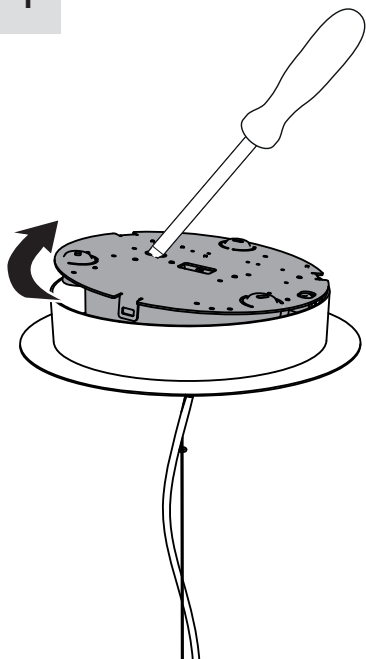




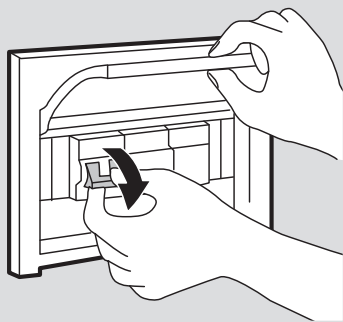
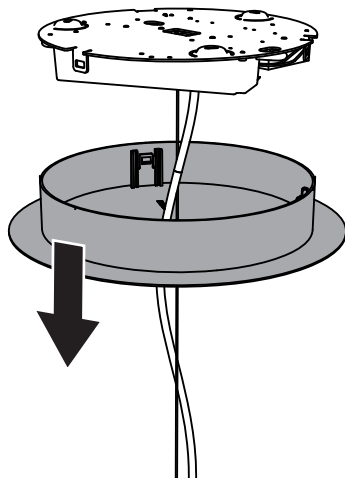
i



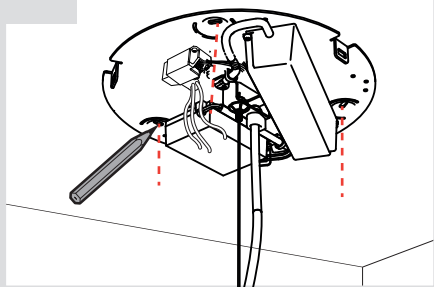
1



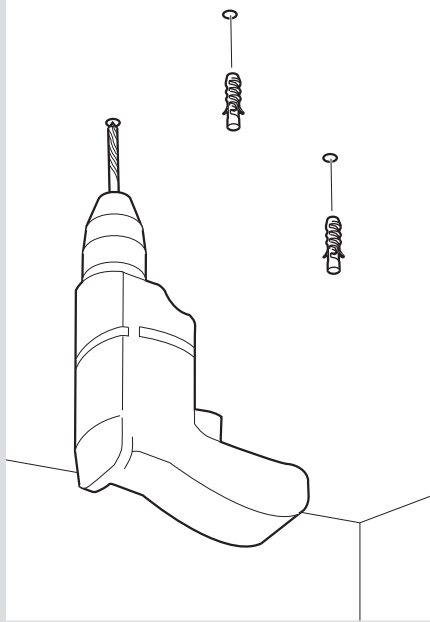
2



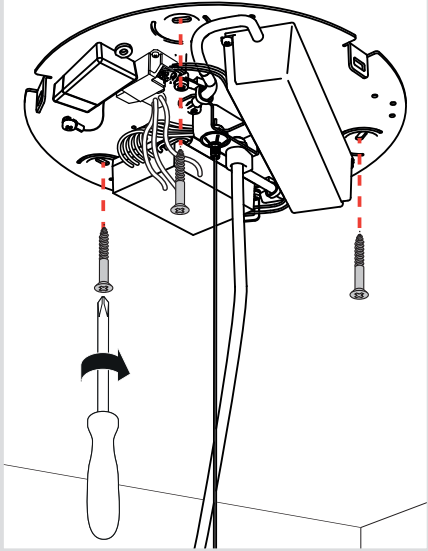
3



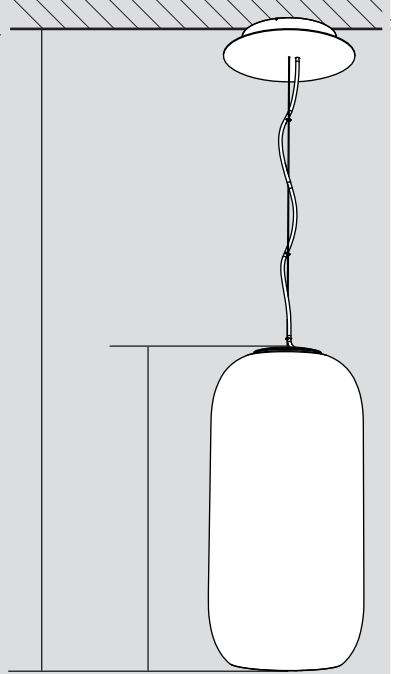
4



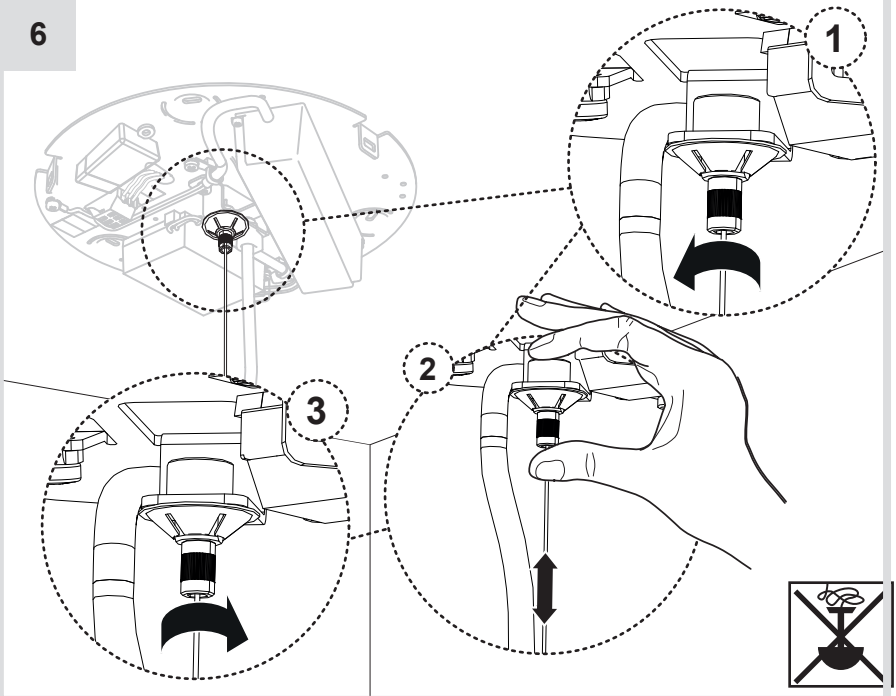
5



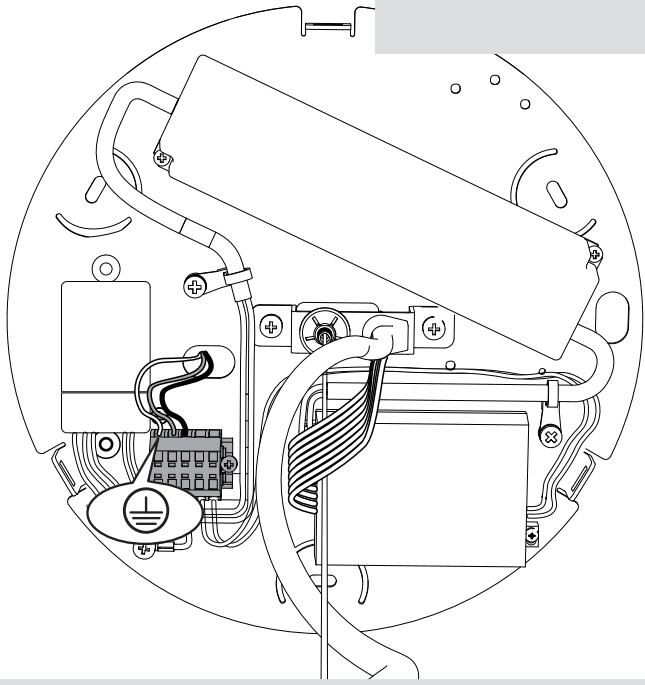
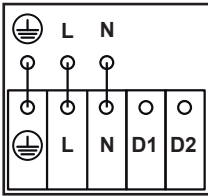
i



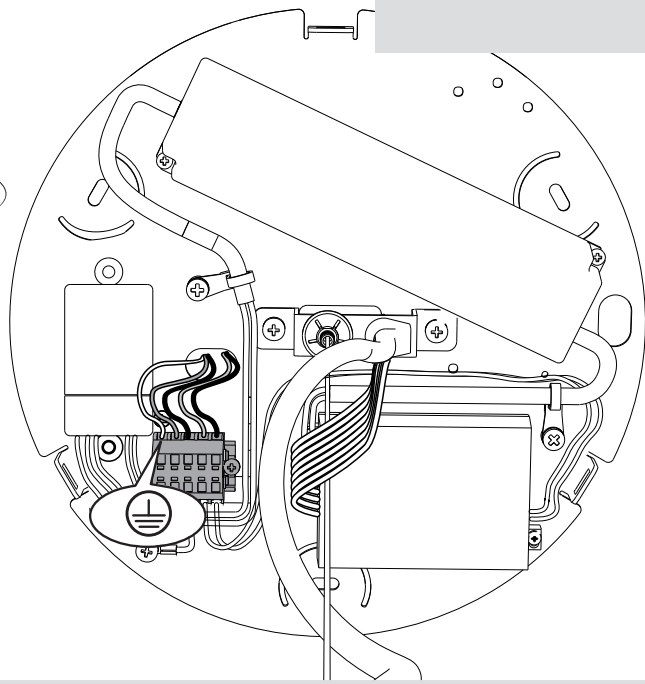
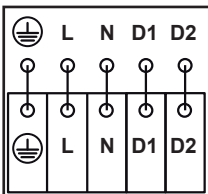
6



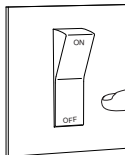
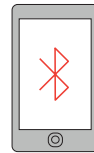
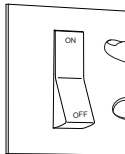
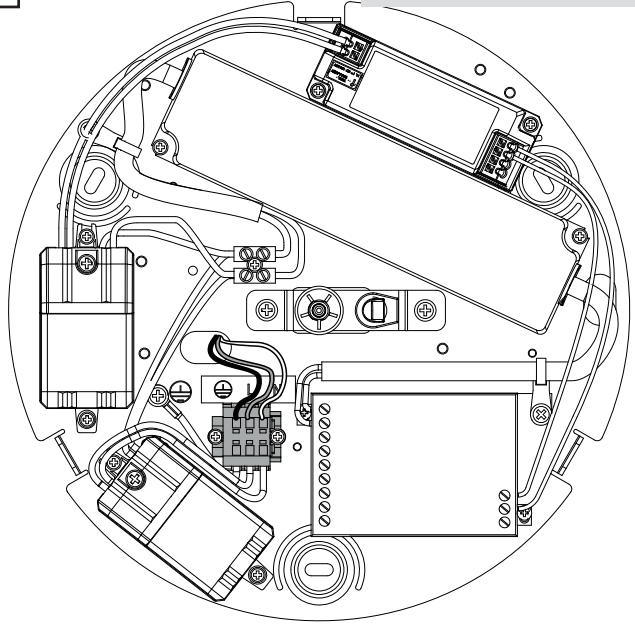
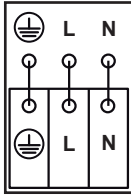
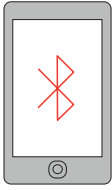
7a



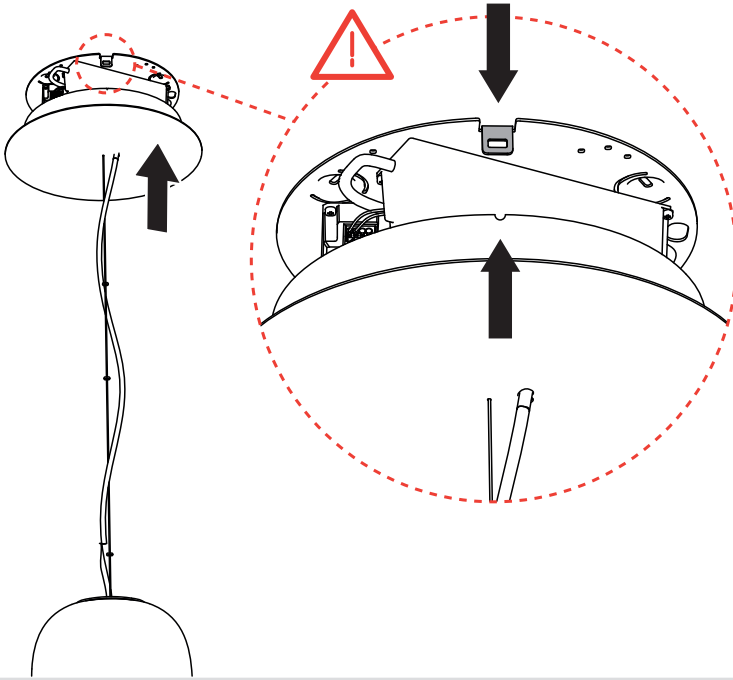
7b



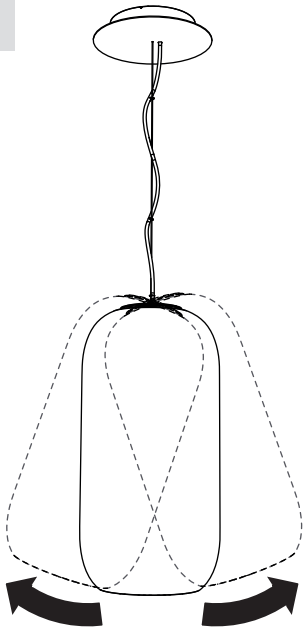
7c



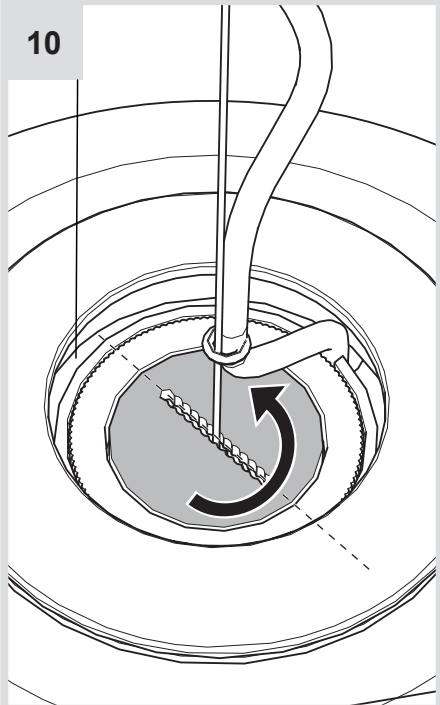
8



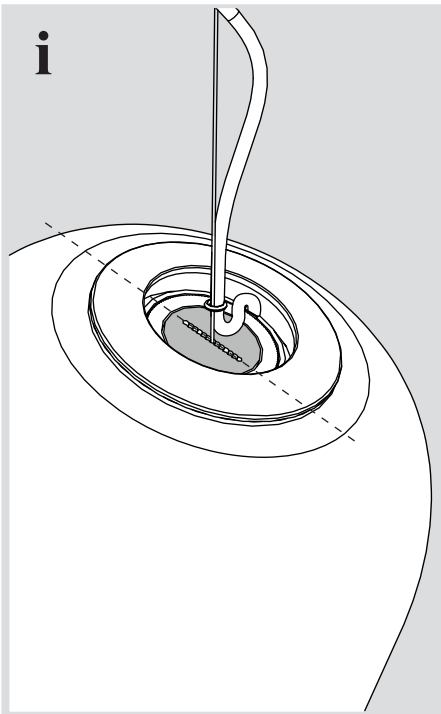
9



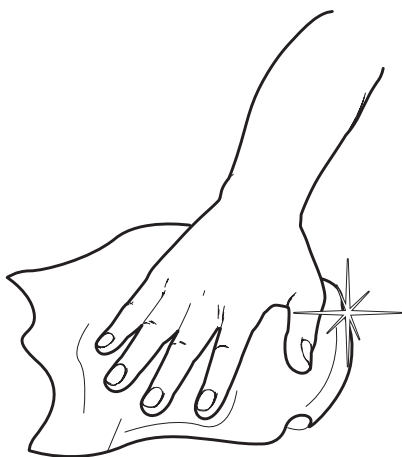
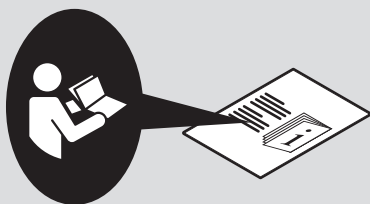
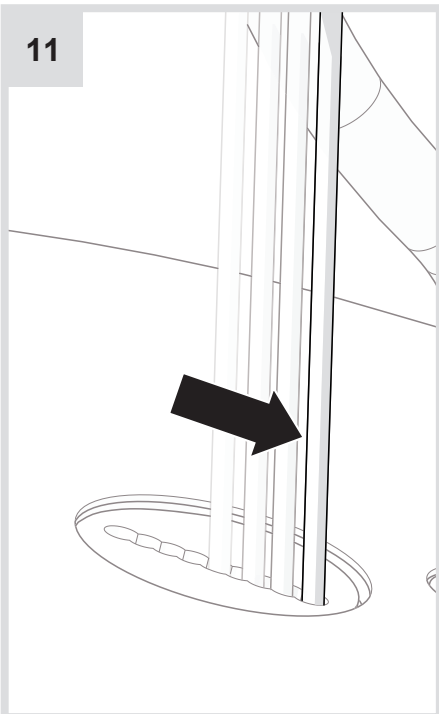
10



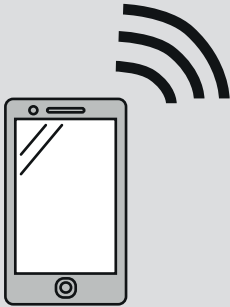
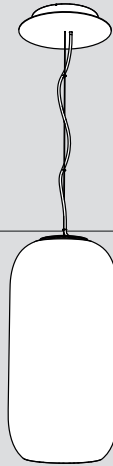
i



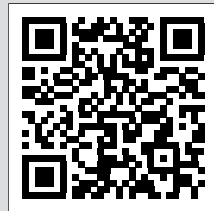
11



i



RWB Technology
Starting Guide



Artemide®



Artemide

via Bergamo, 18
20010 Pregnana M.se (MI)
ITALIA

tel. +39 02 935 181
fax +39 02 935 90 254
fax +39 02 935 90 496

www.artemide.com

VAT IT00846890150

cod. Y513001101D