

Artemide®

LA LINEA

design
BIG

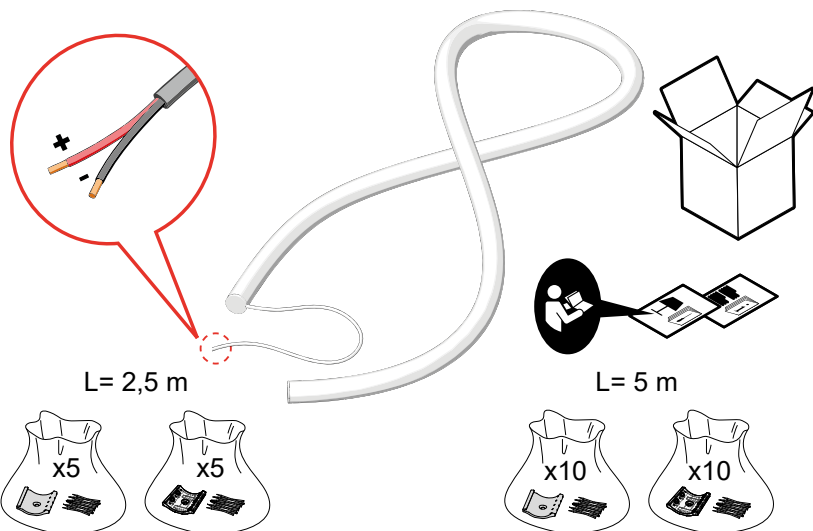




i

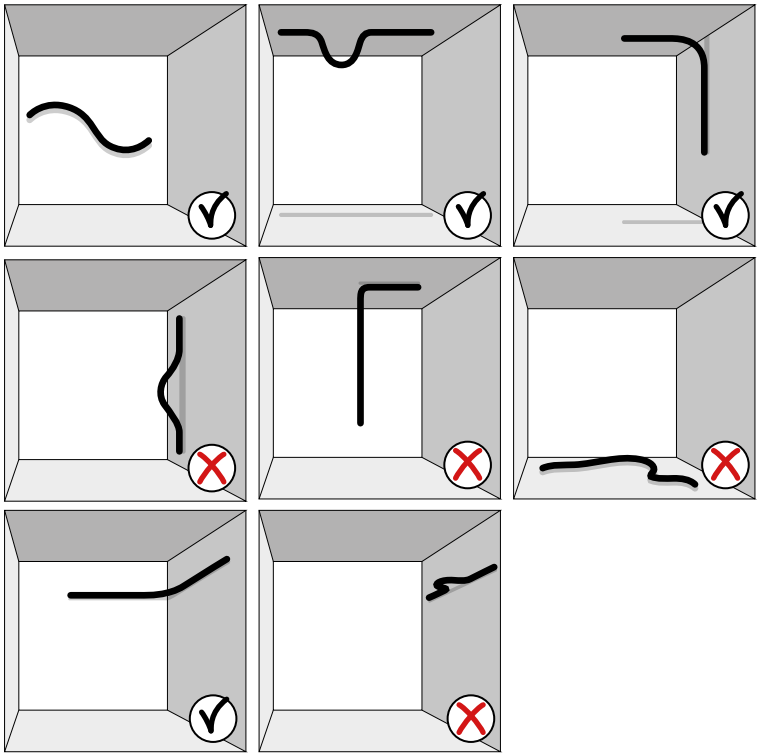


CE	III	IP65		LED 0
	UK CA	IK08	CLASS 2	suitable for wet locations convient aux endroits humides Ato para ubicación húmeda
?	→		→	

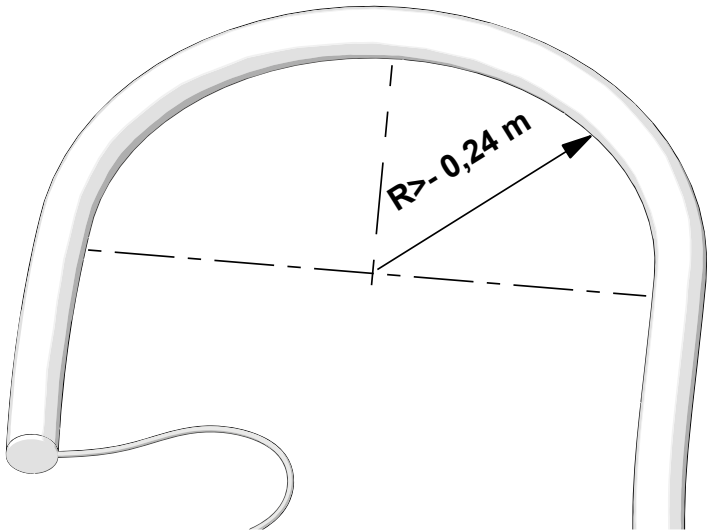




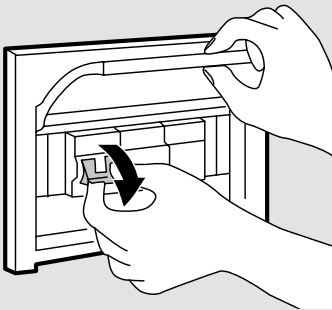
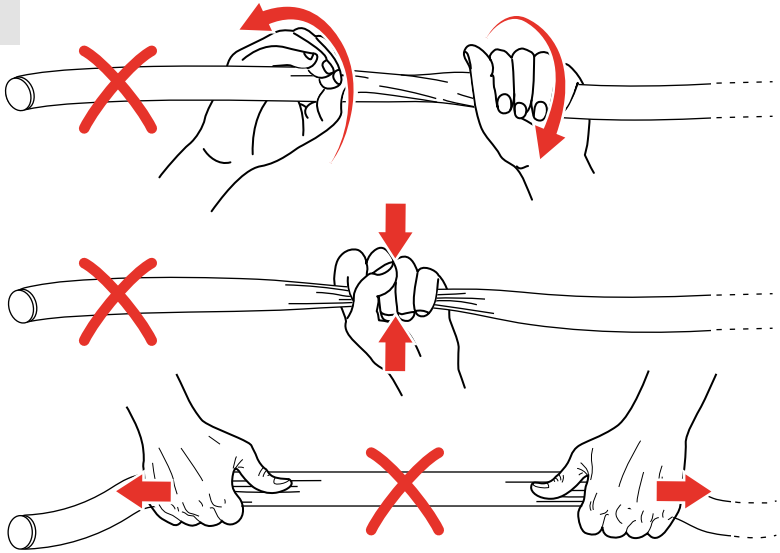
i



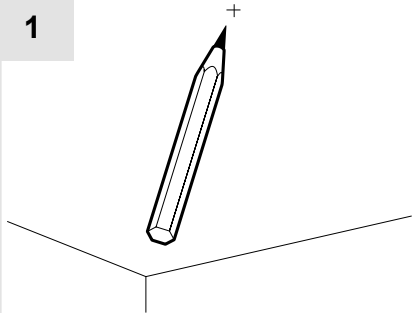
i



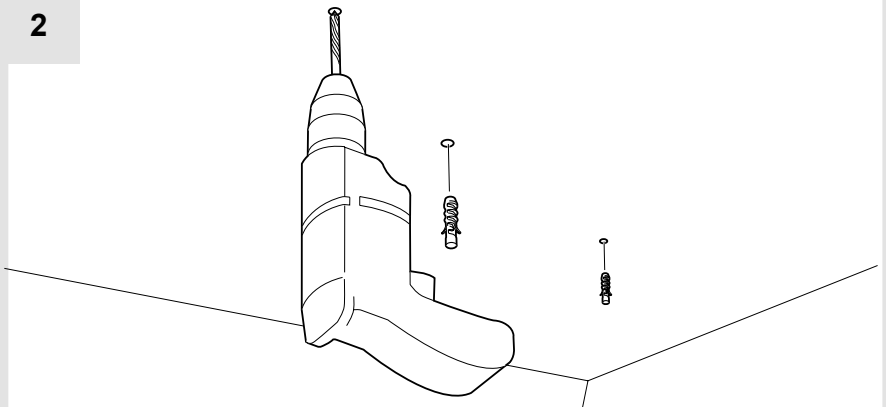
i



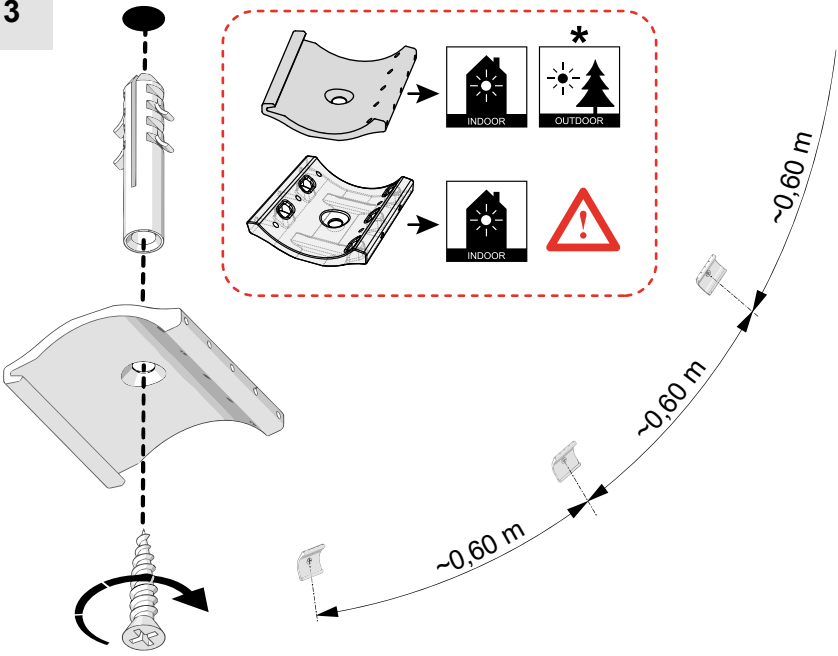
1



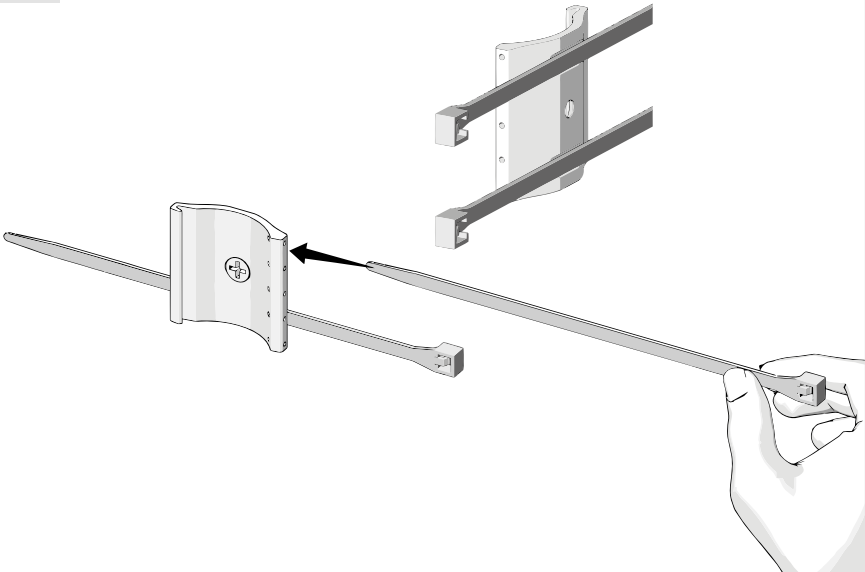
2



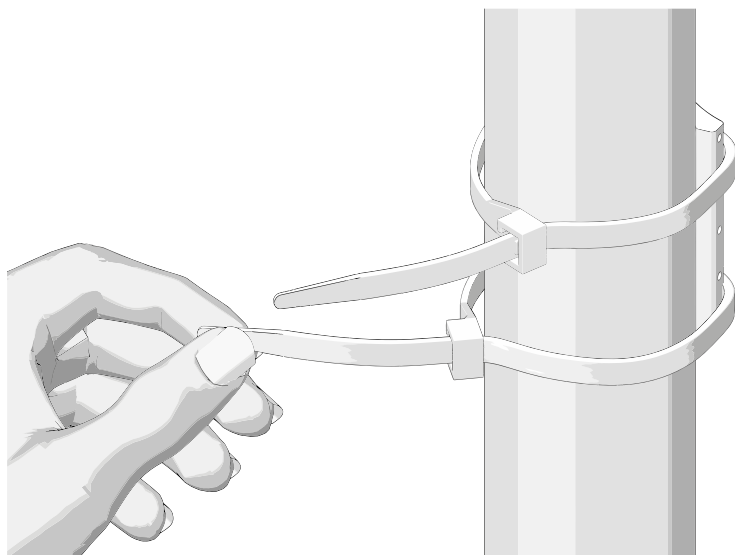
3



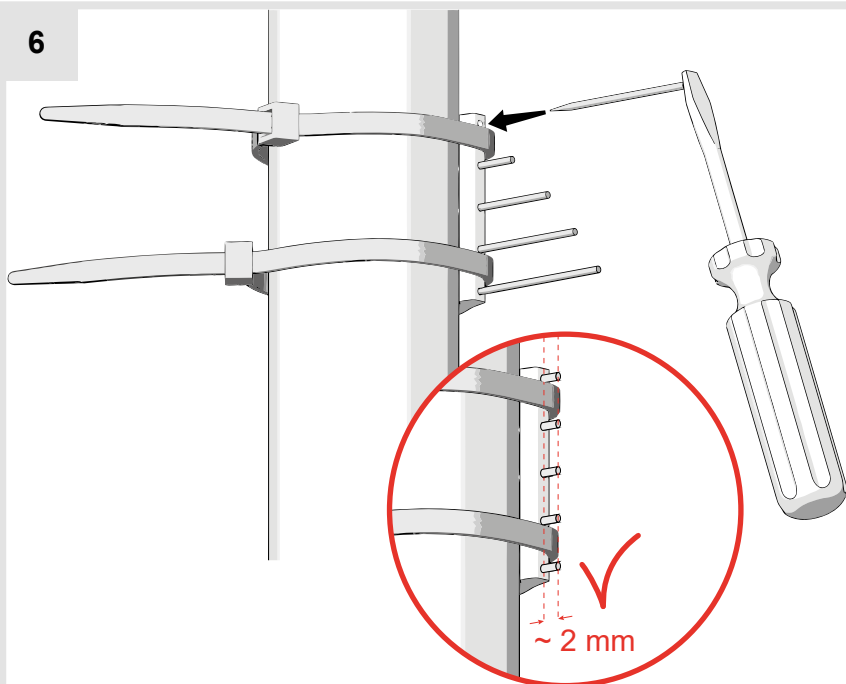
4



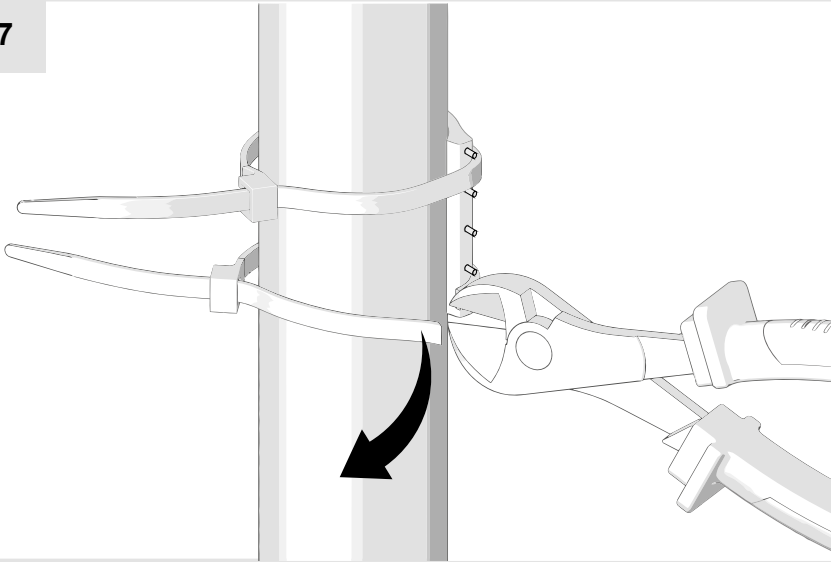
5



6

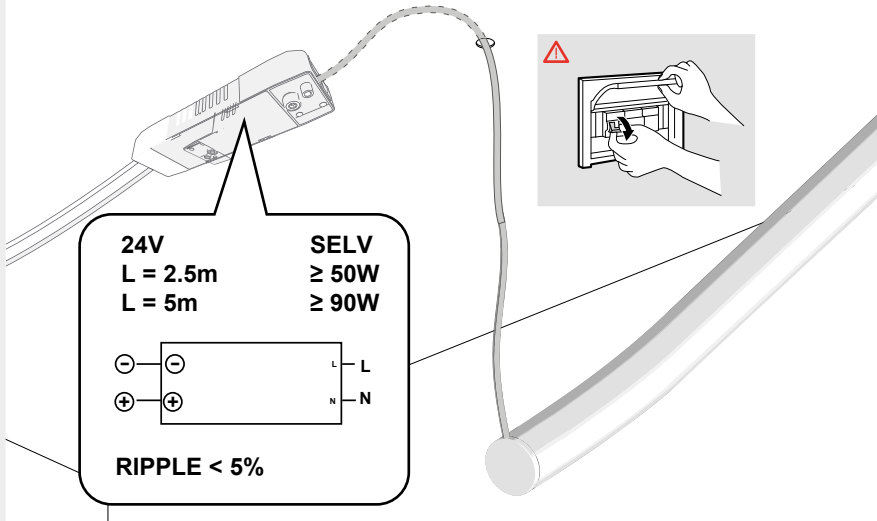


7

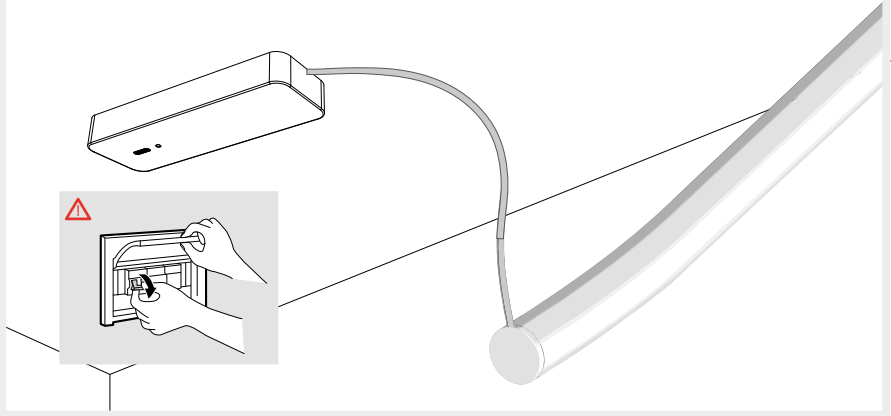


8

RECESSED BARE KIT				
La Linea 40		IP20	IP65	Instruction Sheet
2.5m / 5m	ND	DV1033	x	Y513001031
	1-10	x	DV1075	Y513001349
	APP+Push	DV1075APP	x	Y513001417
	DALI	x	DV1076	Y513001418



SMD POWER KIT			
	IP20	IP65	Instruction Sheet
ND	A4681210	x	Y513001413
1-10 + DALI + PUSH	A4681010	x	Y513001357
APP+Push	A4681010APP	x	Y513001414
APP+Push		T4681010APP	Y513001356



10 For USA / Canada only

24V SELV
 L = 2.5m ≥ 50W
 L = 5m ----- ≥ 90W

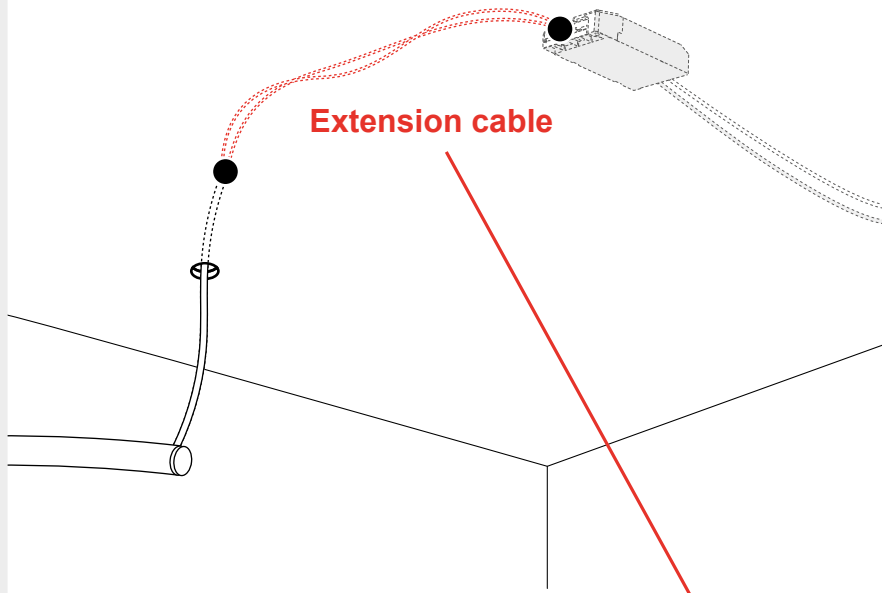
⊖ ⊖ L
 ⊕ ⊕ N

100-277V

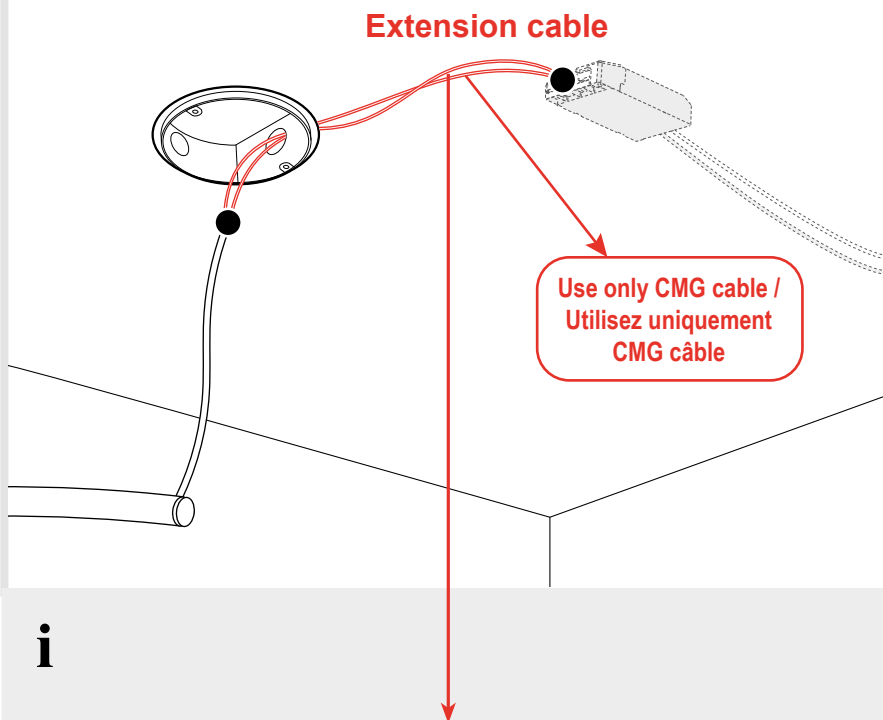
RIPPLE < 5%

Use only with class 2 power unit
 Utiliser exclusivement avec class 2 alimentation
 Utilícese únicamente con unidad de alimentación de clase 2

red/rouge/rojo ● + CLASS 2
 black/noir/negro ● - CLASS 2

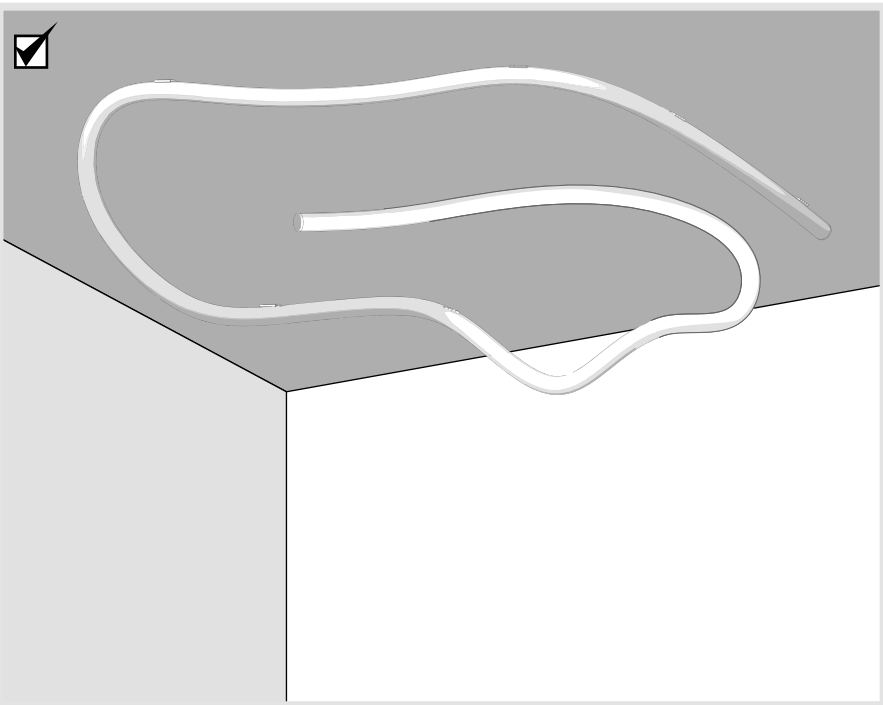
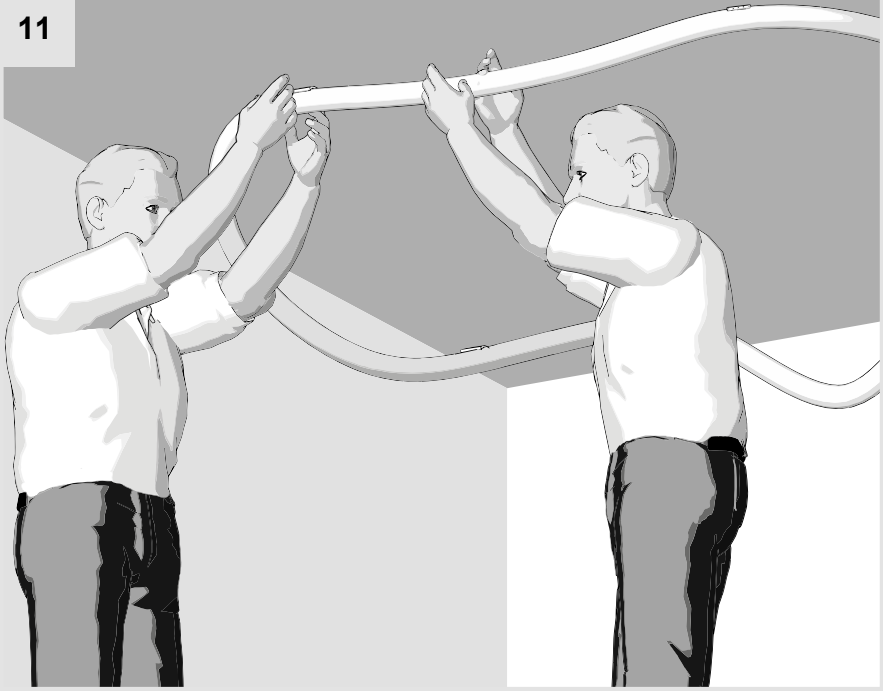
i**i**

Power supply voltage (Vdc)	Appliance	Power [W]	Appliance's cable cross section	Appliance's cable length [m]	Extension cable's cross section [mmq]	Max extension cable's lenght [m]
24V	La Linea 40 2,5 mt	37,5	0,52	2	1	13
					1,5	20
					2,5	35
					4	55
	La Linea 40 5 mt	75	0,52	2	1	6
					1,5	10
					2,5	17
					4	27

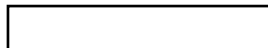
i**For USA / Canada only****i**

Power supply voltage (Vdc)	Appliance	Power [W]	Appliance's cable cross section	Appliance's cable length [ft]	Extension cable's cross section [AWG]	Max extension cable's length [ft]
24V	La Linea 40 2,5 mt	37,5	AWG20	6,56	17	42,65
					15	65,61
					13	114,82
					11	180,44
	La Linea 40 5 mt	75	AWG20	6,56	17	19,68
					15	32,80
					13	55,77
					11	88,58

11



Artemide®



Artemide

via Bergamo, 18
20006 Pregnana M.se (MI)
ITALIA

tel. +39 02 935 181
fax +39 02 935 90 254
fax +39 02 935 90 496

www.artemide.com

VAT IT00846890150

Artemide Inc.

250 Karin Lane
Hicksville, NY 11801

tel. 631 694 9292
Toll Free 1-877-Art-9111
Fax 631 694 9275

www.artemide.net

Artemide Ltée/Ltd.

11105 rue Renaude Lapointe
Montréal, Québec H1J 2T4

Tel. 514 323 6537
Toll Free 888 777 2783
Fax 514 323 8864

www.artemide.net

cod. Y513001308G