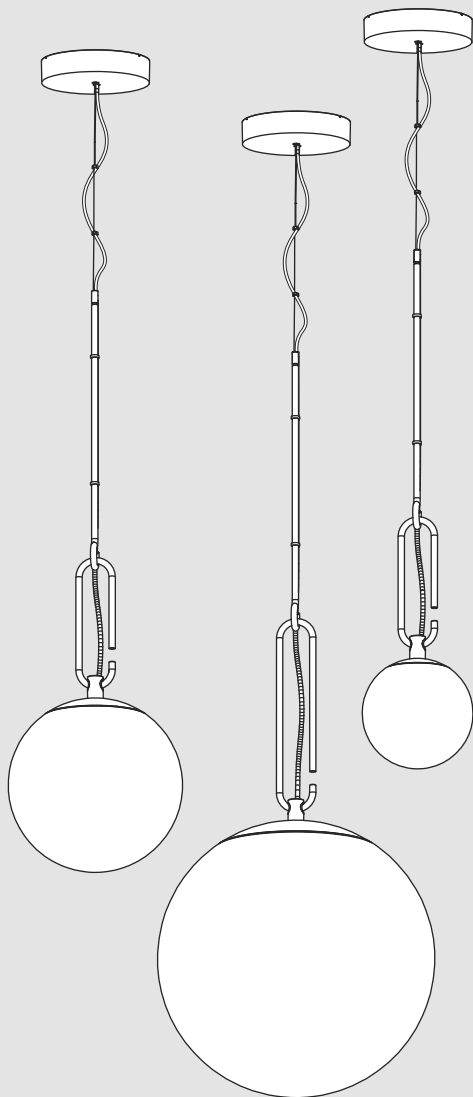


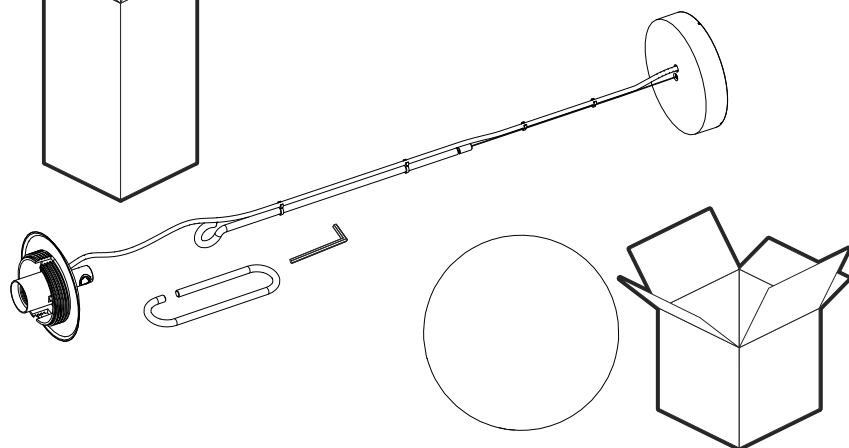
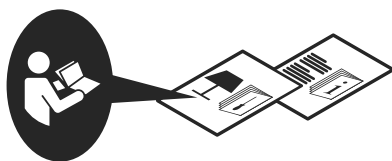
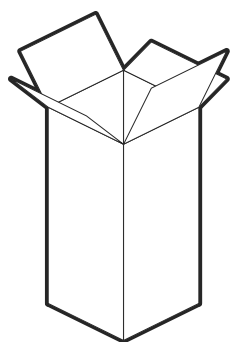
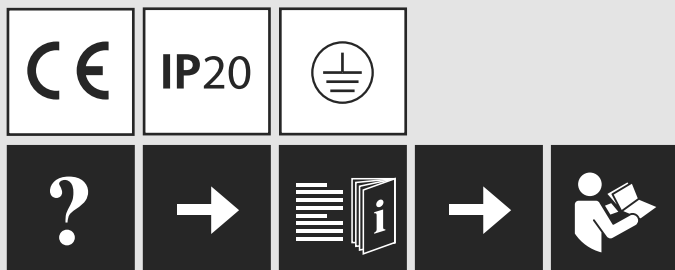
nh

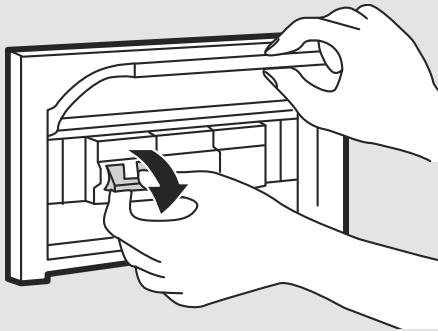
design
Neri & Hu



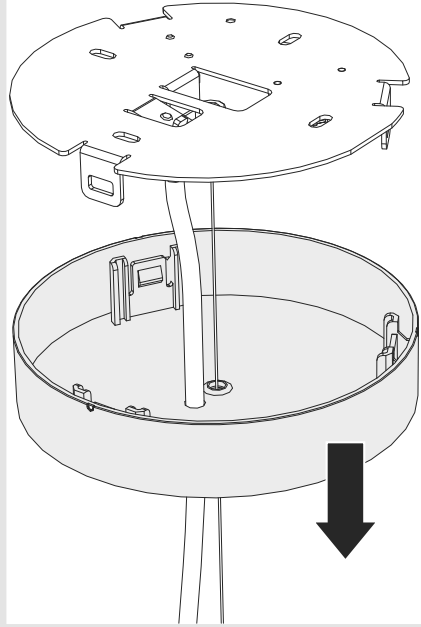


i

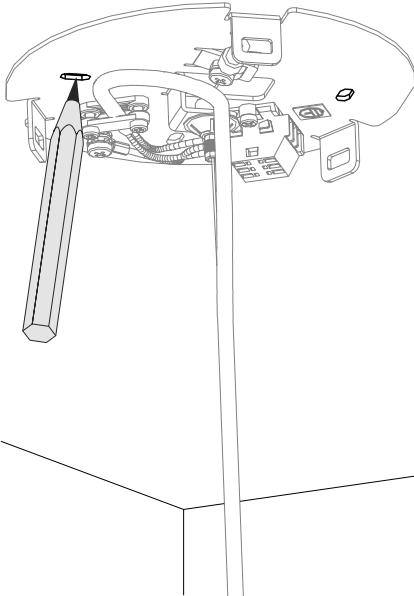




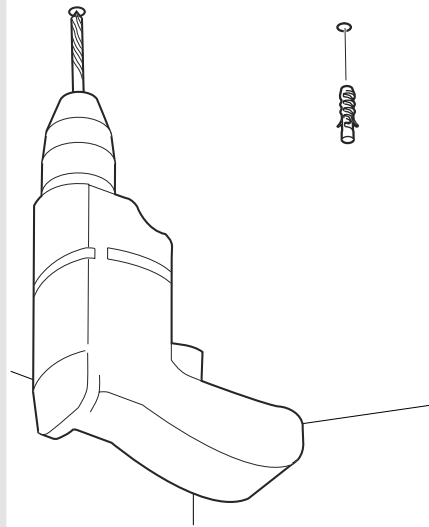
1



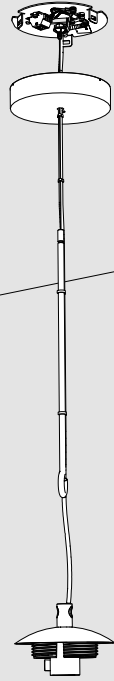
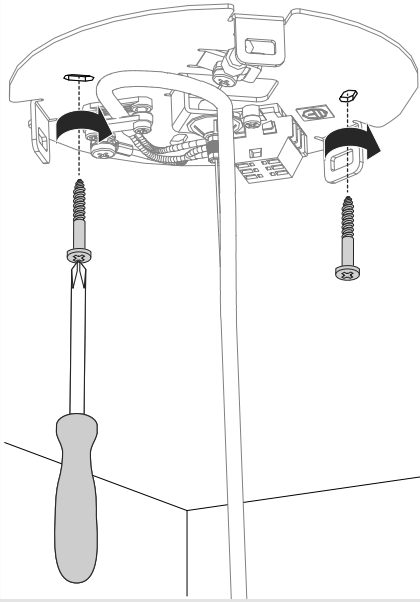
2



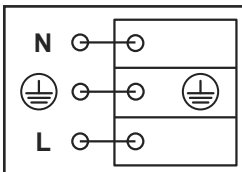
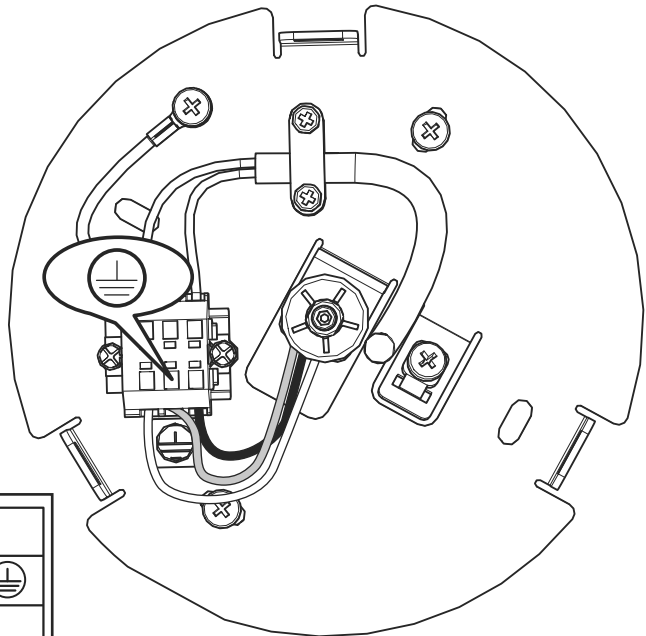
3



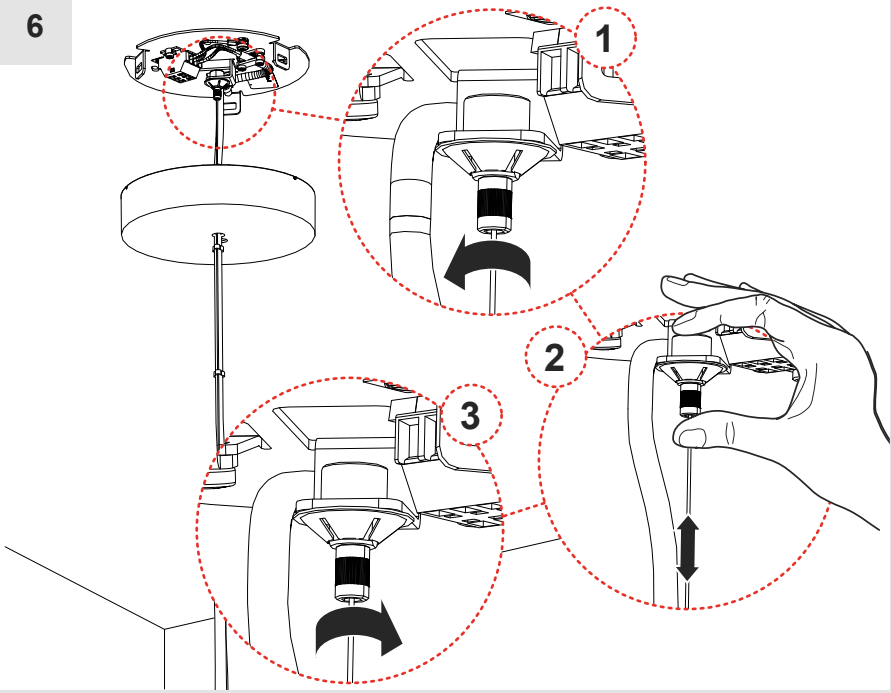
4



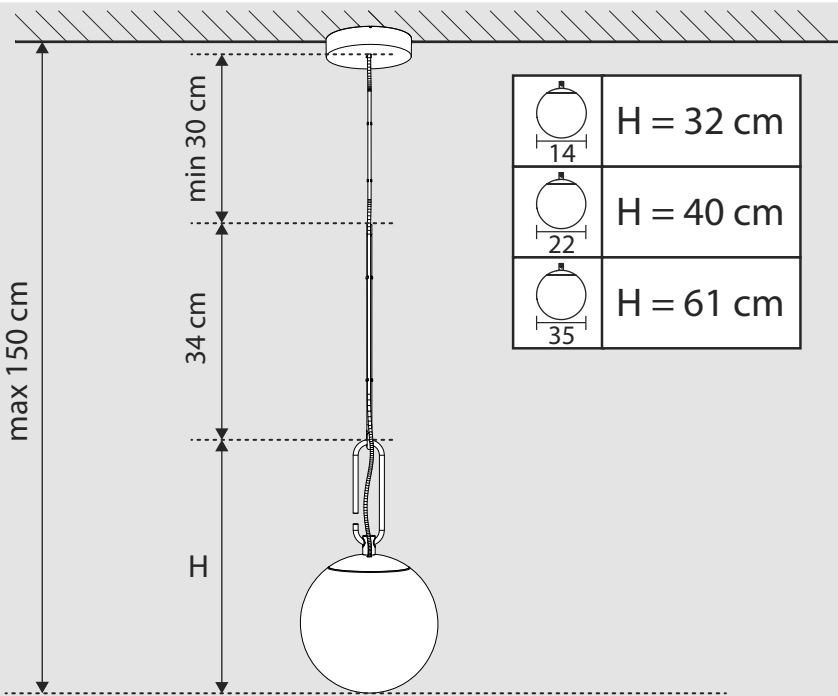
5



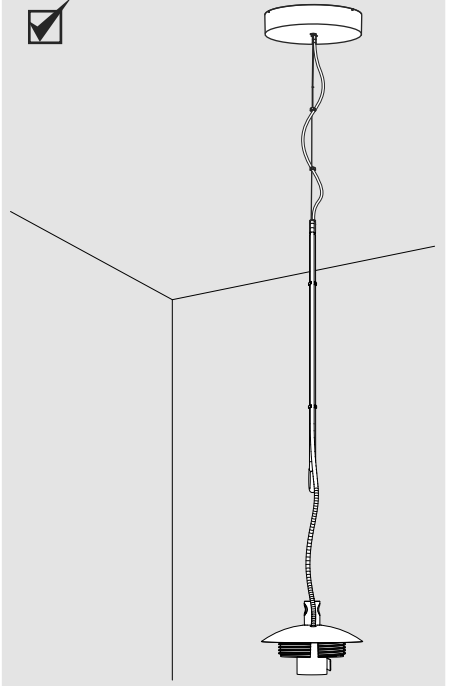
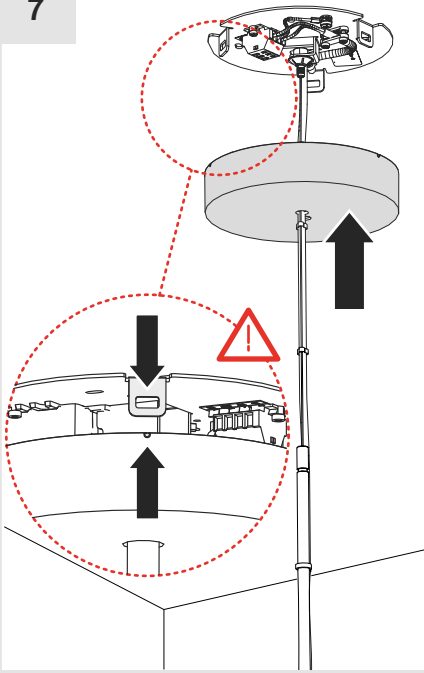
6



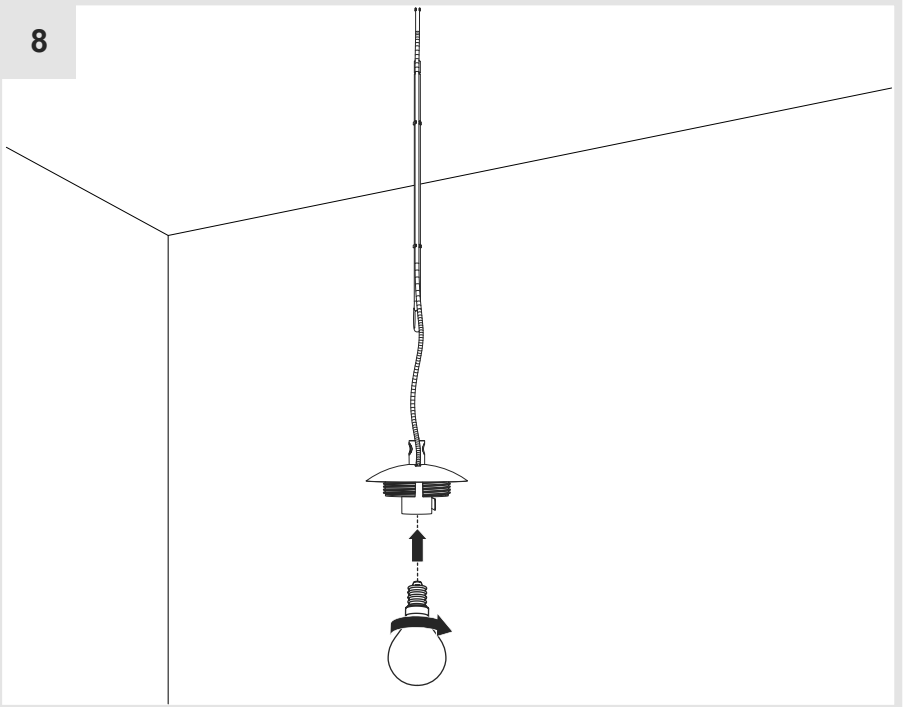
i



7



8





LED



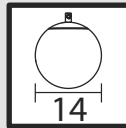
HALO



HALO

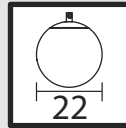
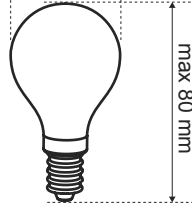


FLUO



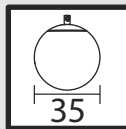
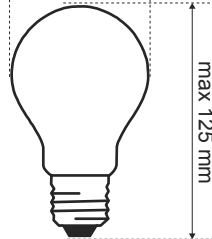
E14 - MAX 5W LED

max 50 mm:



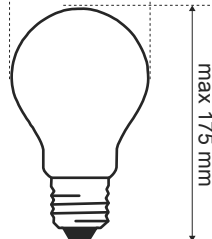
E27 - MAX 15W LED

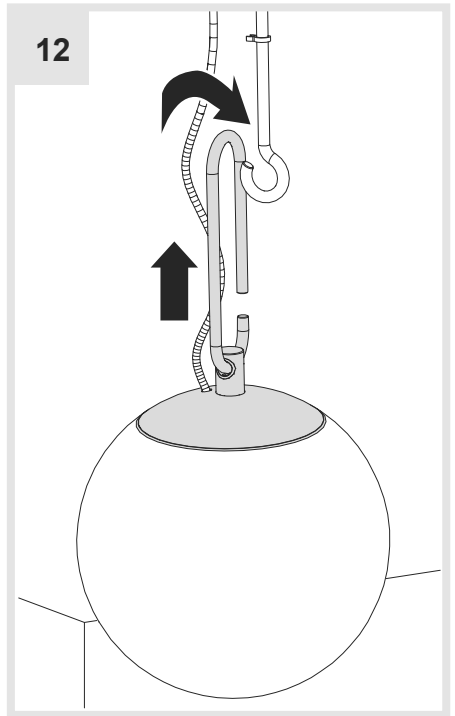
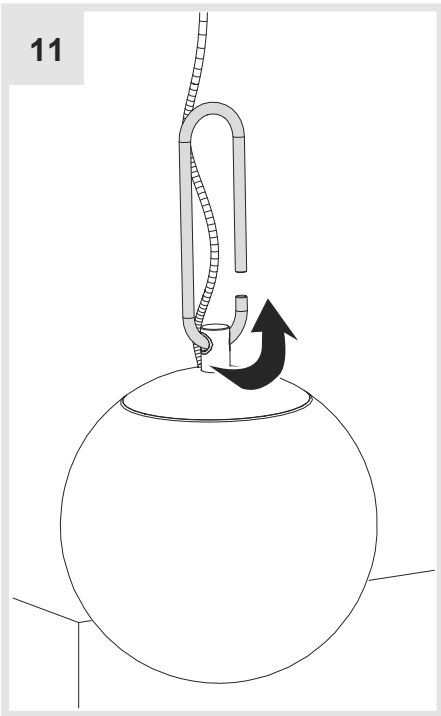
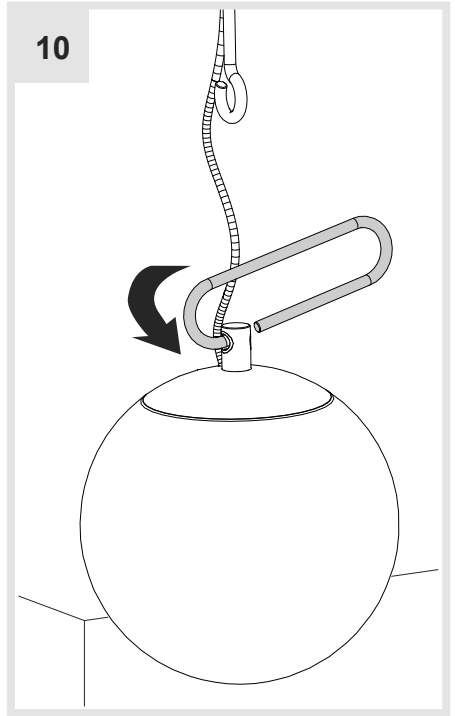
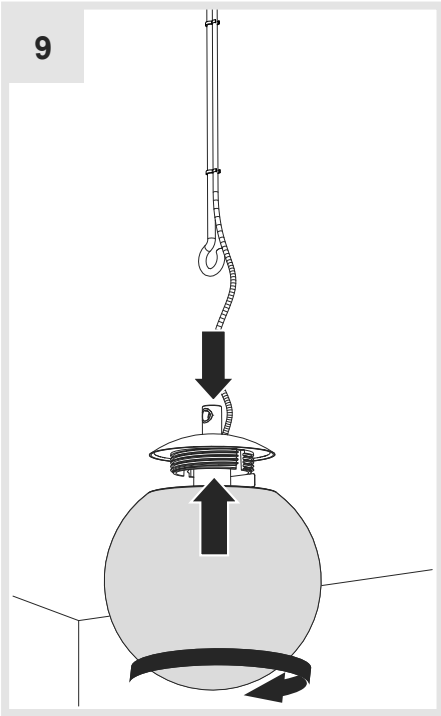
max 70 mm



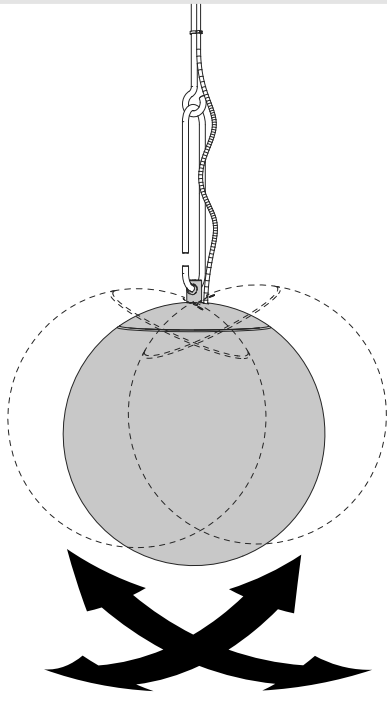
E27 - MAX 20W LED

max 70 mm

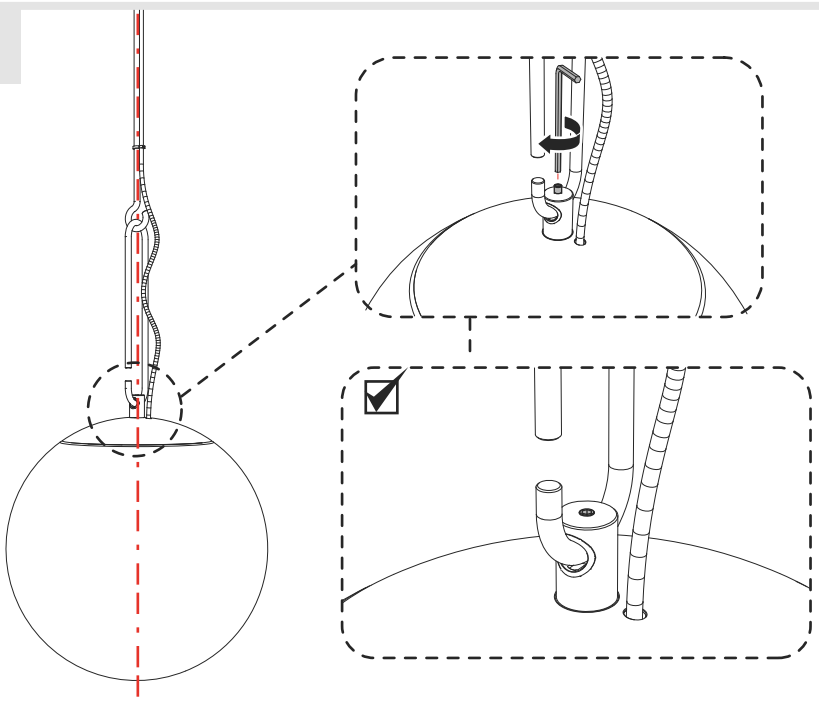


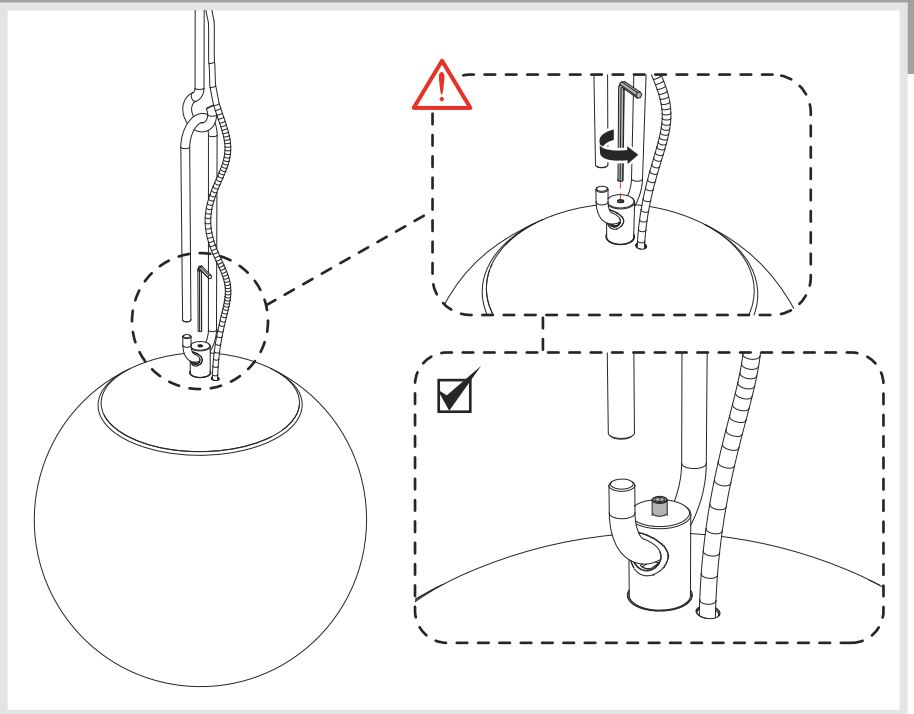
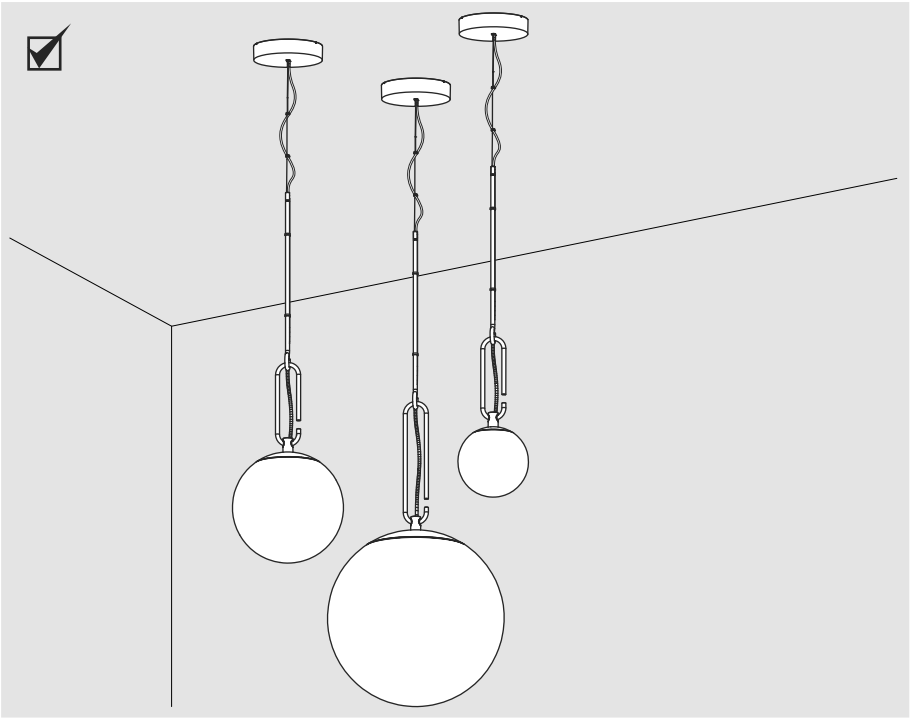


13

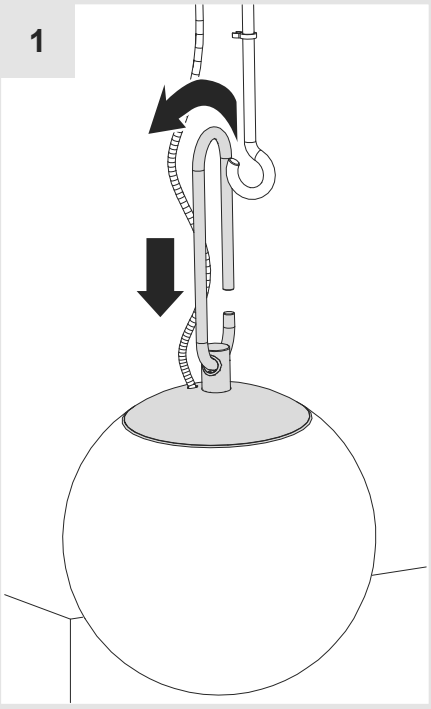


14

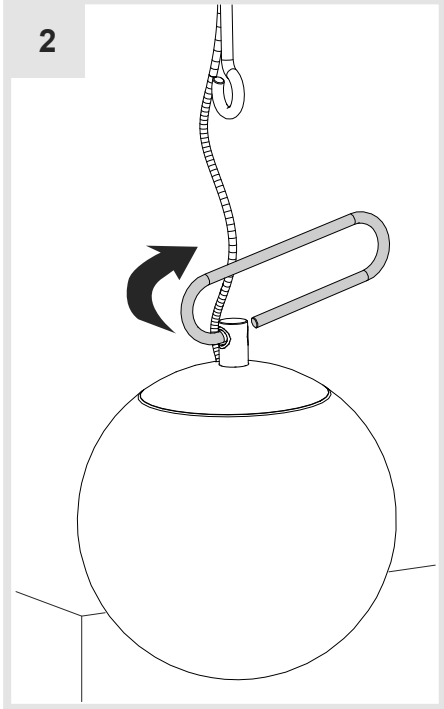




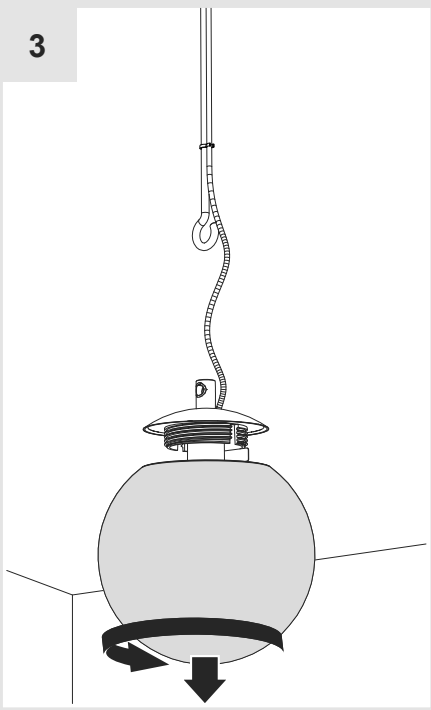
1



2



3



8



14

Artemide®



Artemide

via Bergamo, 18
20010 Pregnana M.se (MI)
ITALIA

tel. +39 02 935 181
fax +39 02 935 90 254
fax +39 02 935 90 496

www.artemide.com

VAT IT00846890150

cod. Y513001148